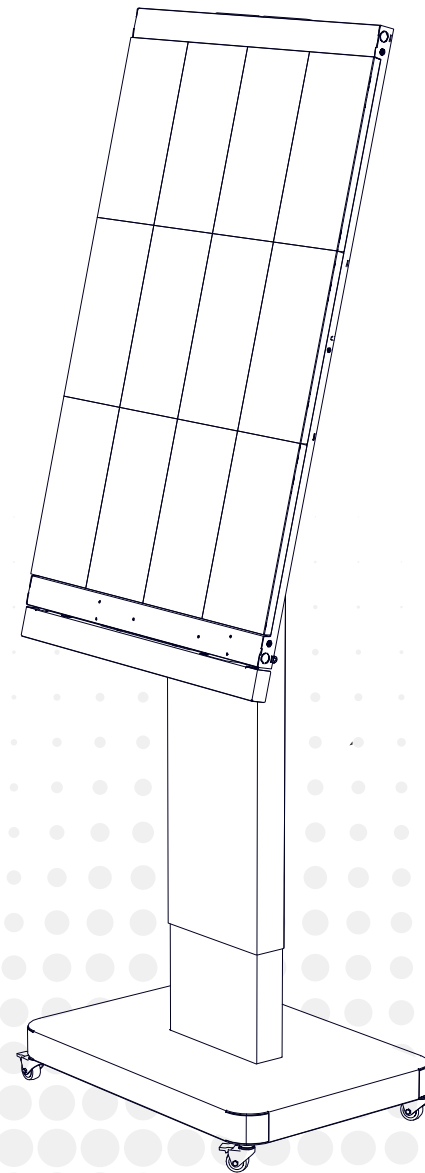




NUMMAX

Installation guide



Easy steps Installation!

- A** General view
- B** Unpack the rolling stand
- C** Assembly
- D** Install your LED Pro Poster
- E** Install the power supply
- F** Finalization
- G** Warnings



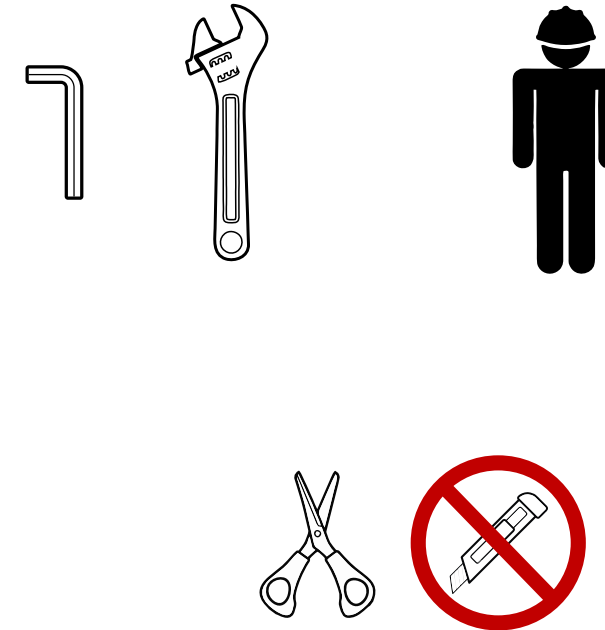
NUMMAX TECH SUPPORT

+1 877 255-3471 #205 (EST)

service@nummax.com

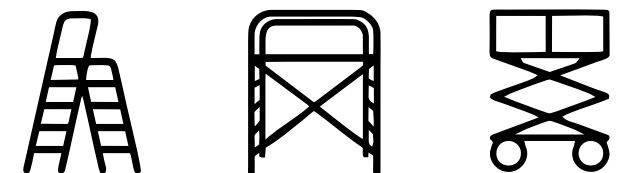
® FC CE

You will need

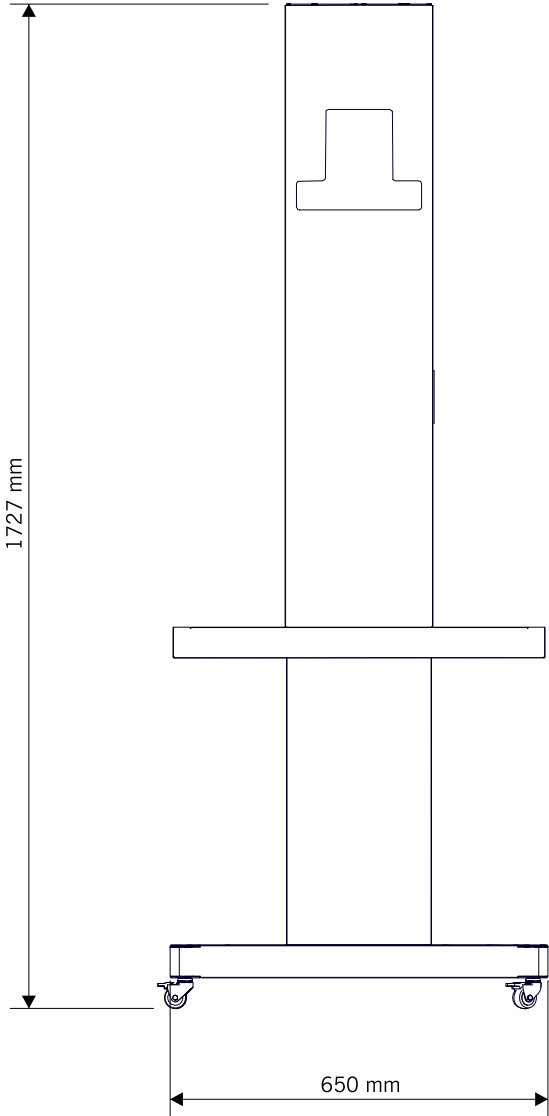


1. The installation depends on the installer technician. Nummax can not be held responsible for any non-compliant or unsafe installation.
2. Adapt bolts, screws, anchors and material to the surface and according to your local safety standards.
3. For security and certification matters, you must never drill or perforate the display's frame or structure.

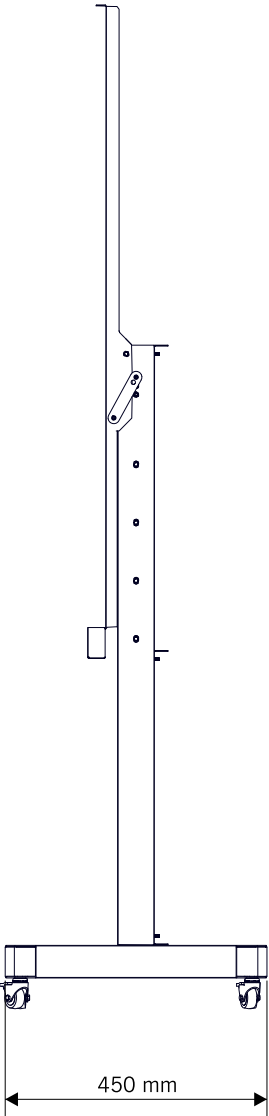
Use the needed proper equipment for a secured installation



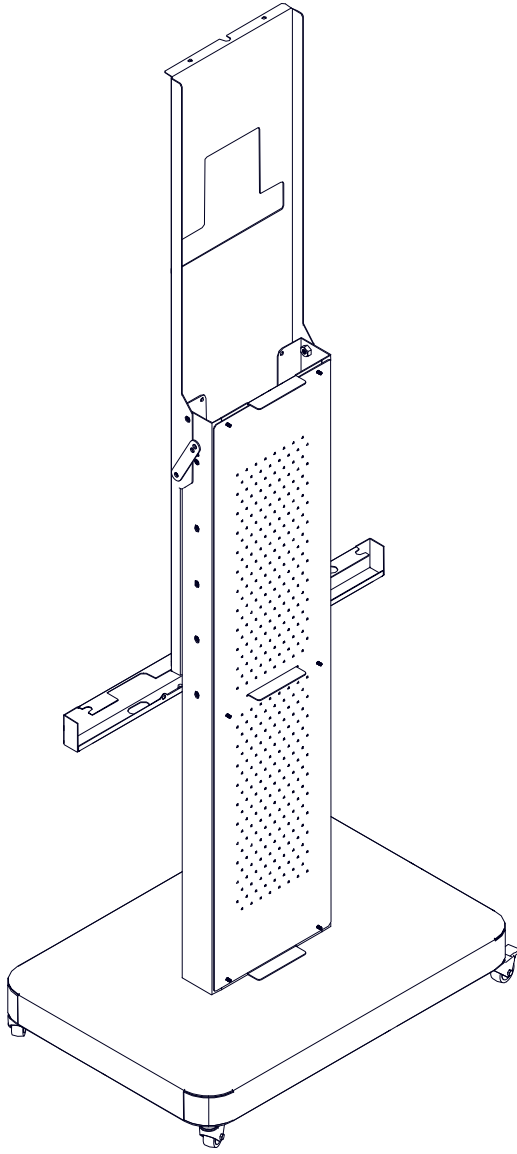
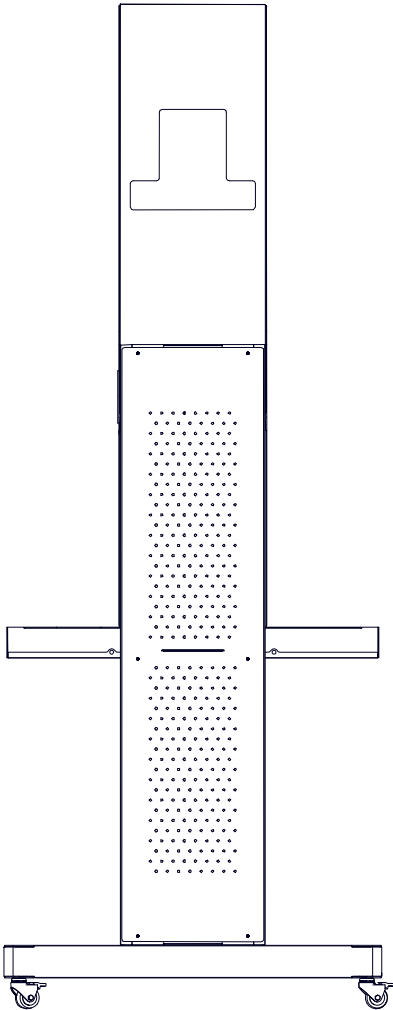
Front

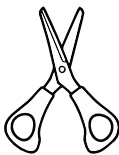


Side



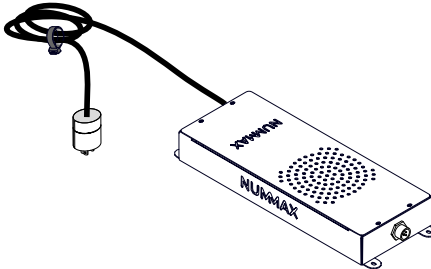
Back



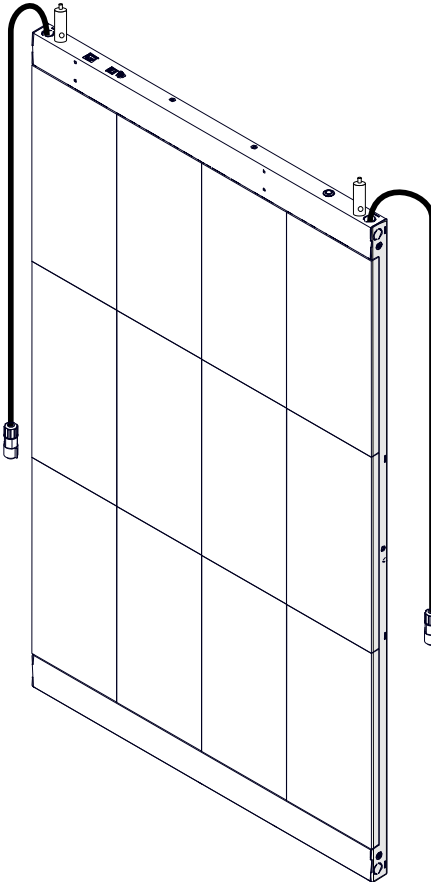


Not Included

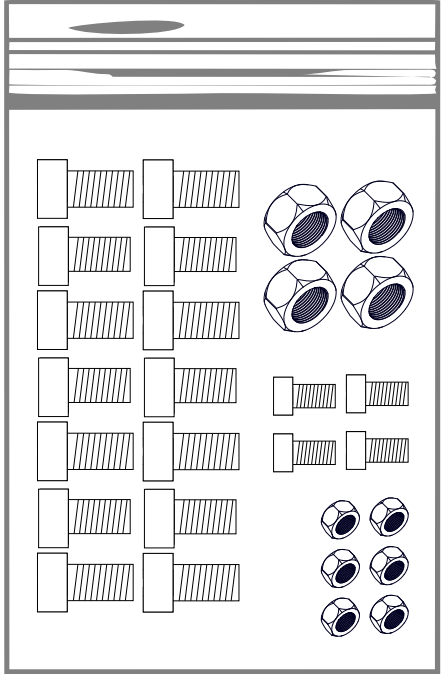
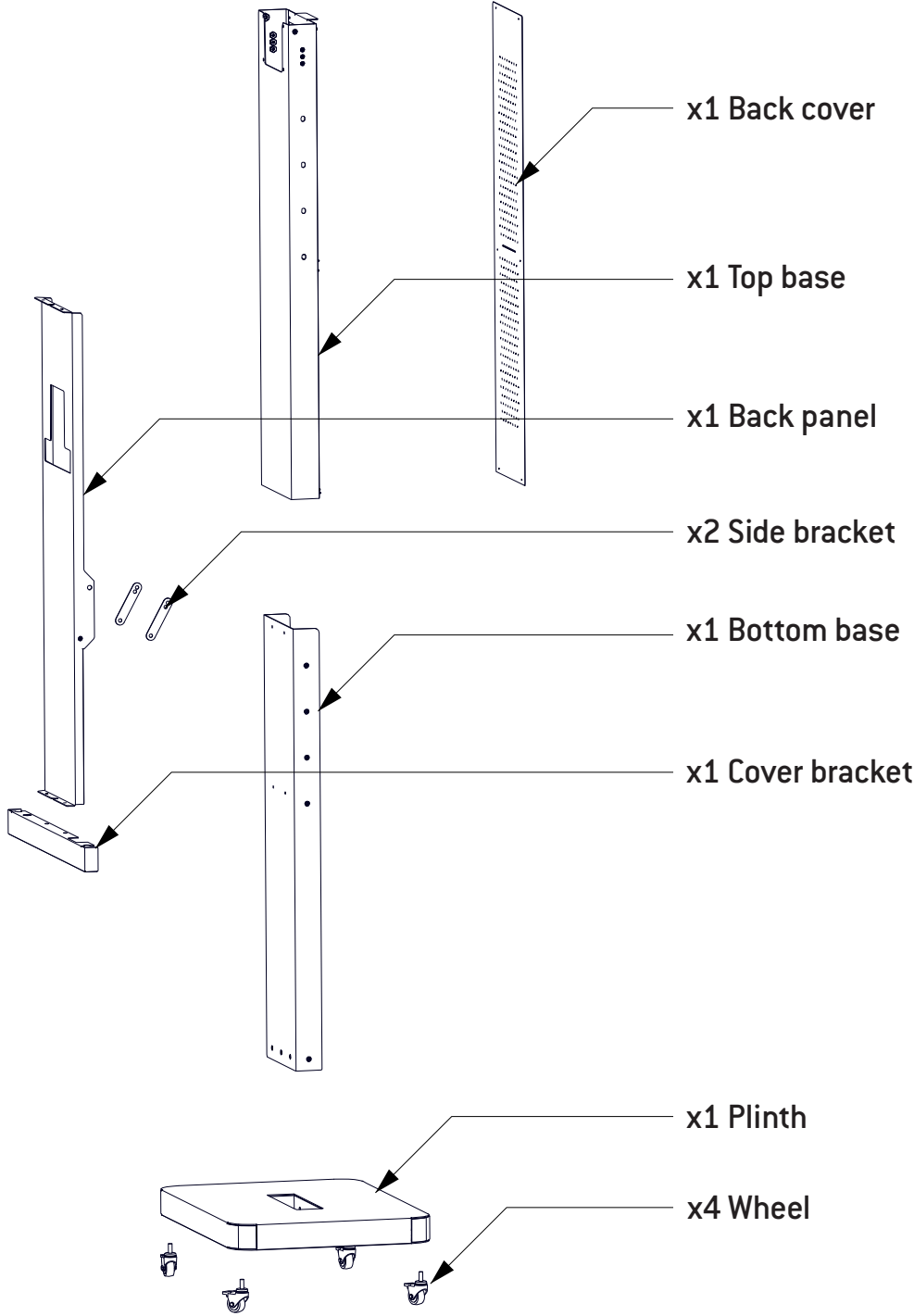
Power supply



LED Pro Poster

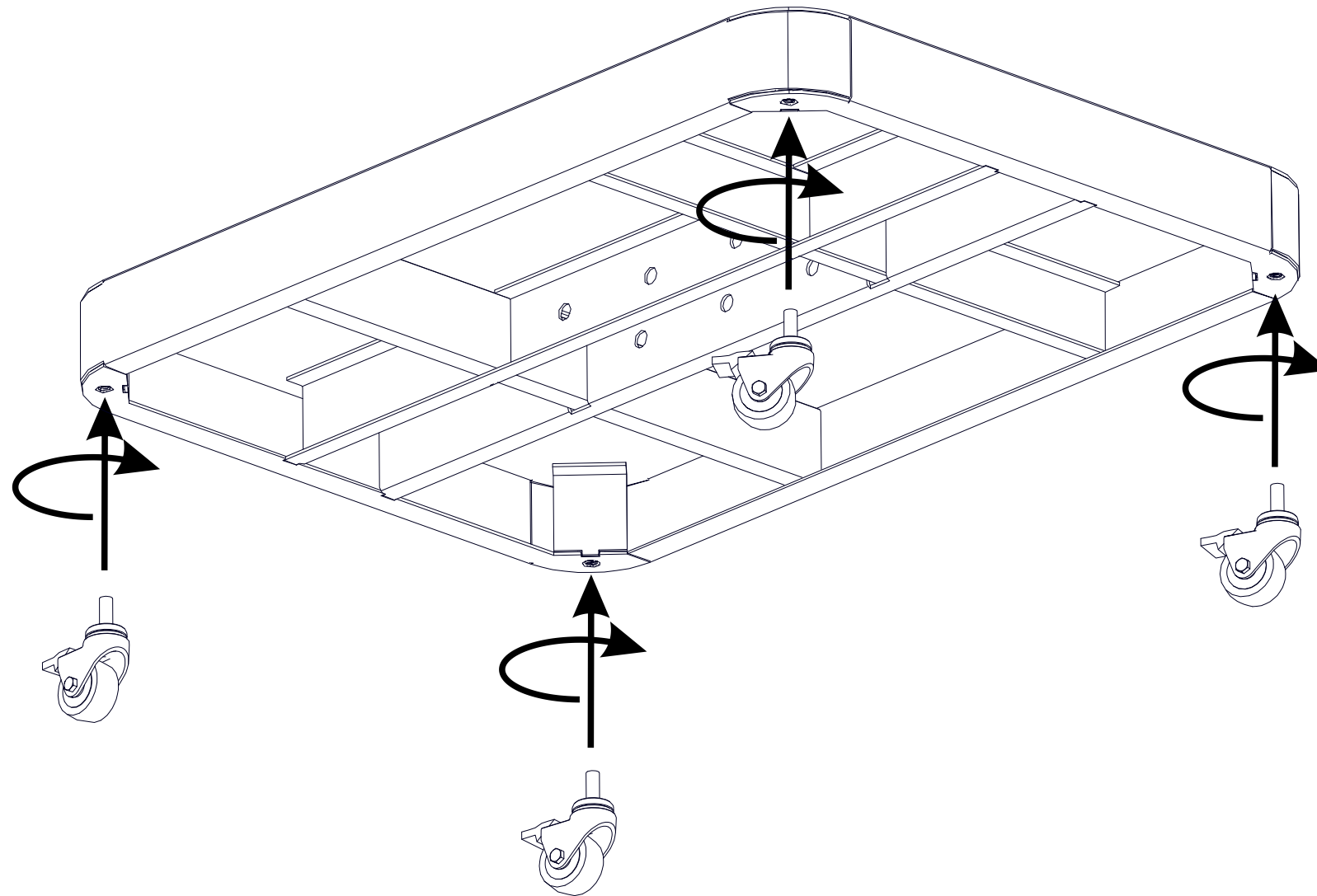
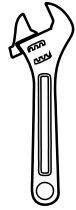


Order your LED Pro Poster now! 1-877-255-3471



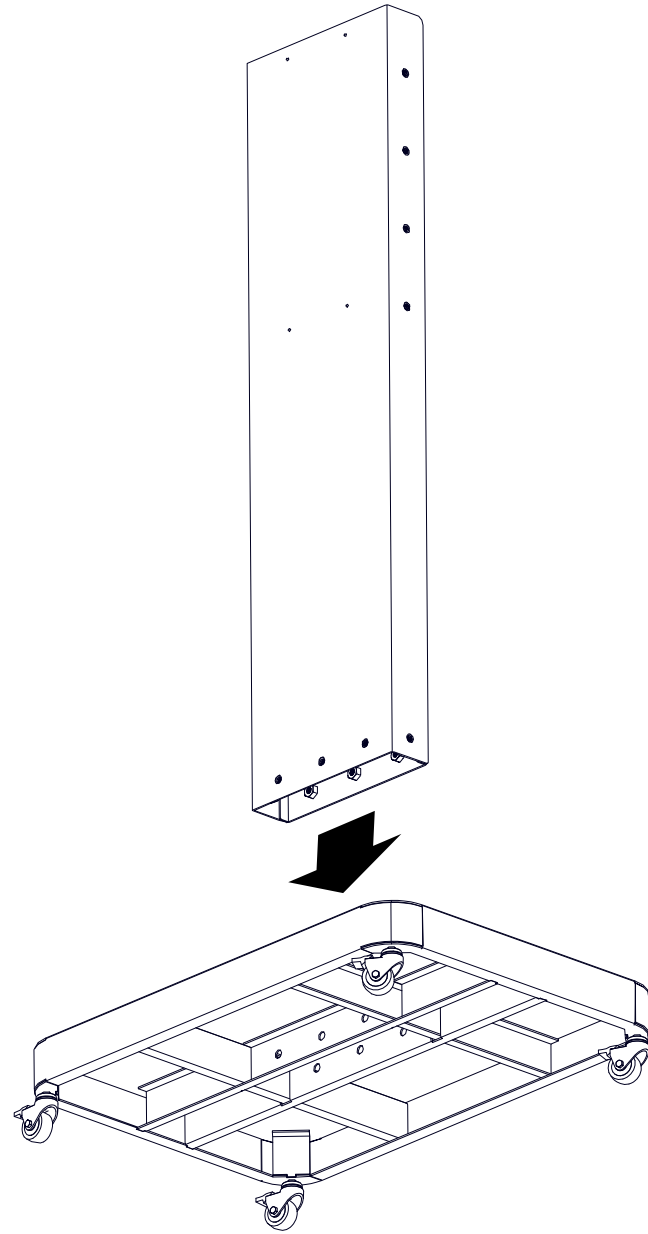
1

Screw the 4 wheels on the plinth.

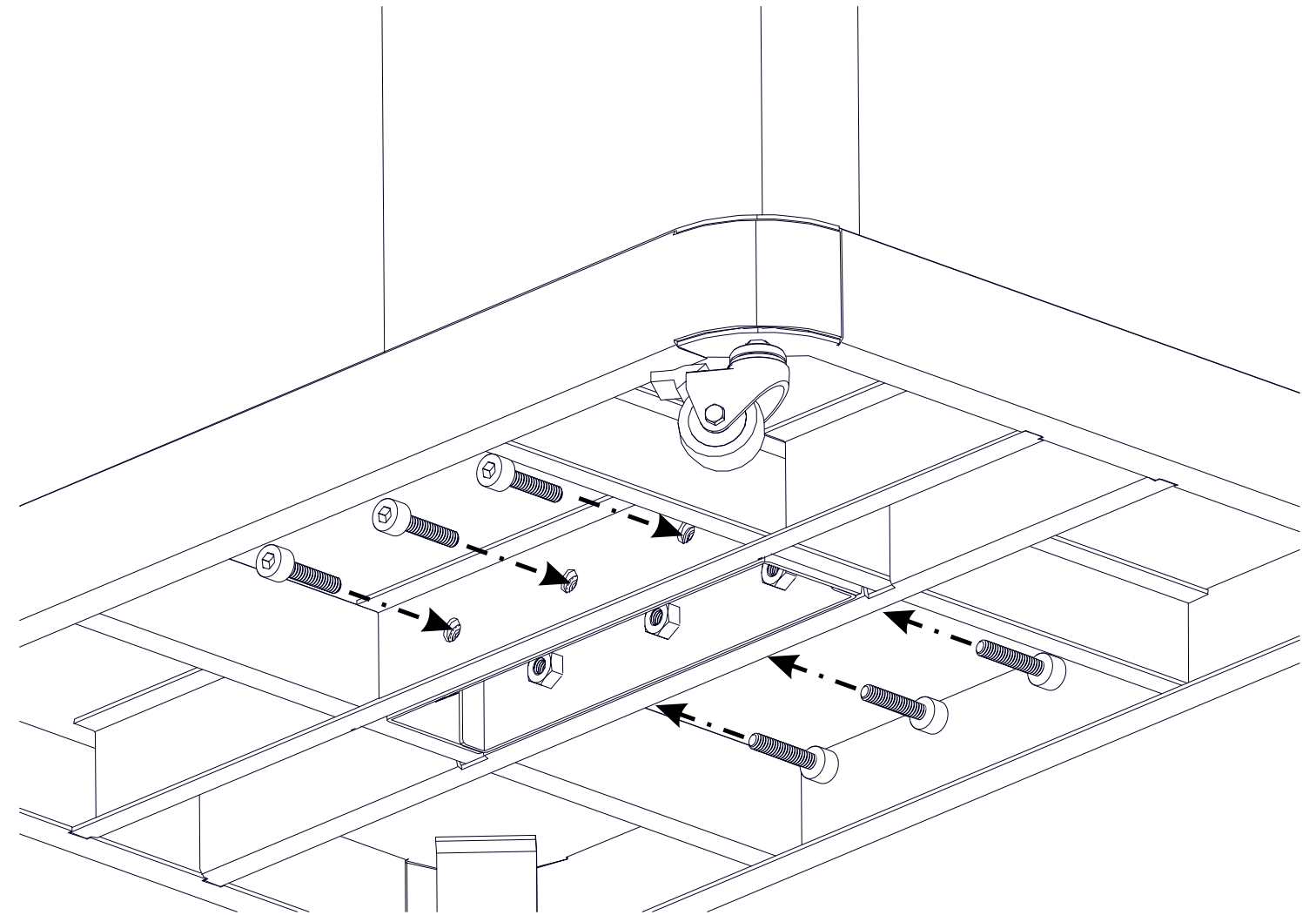
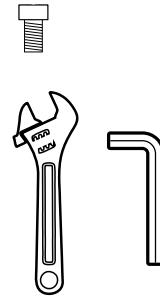


2

Slide the bottom base in the plinth.

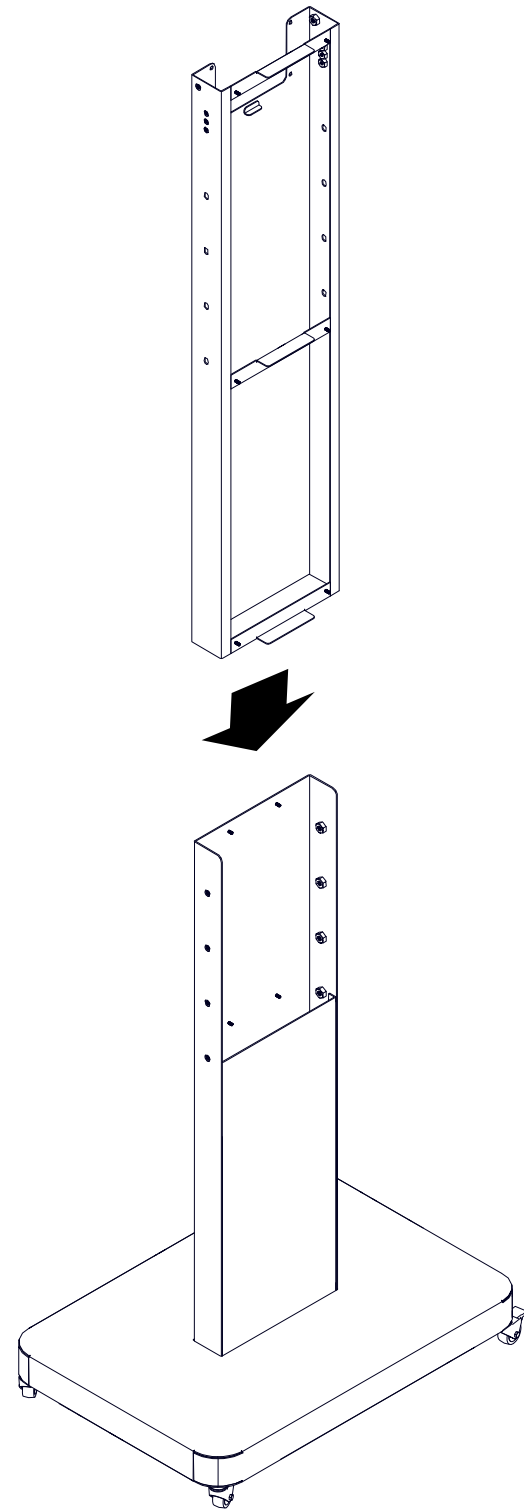
**3**

Screw the bottom base to the plinth.

x6

4

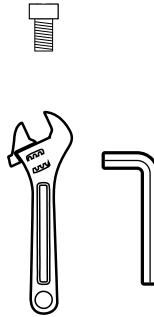
Slide the top base on the bottom base.



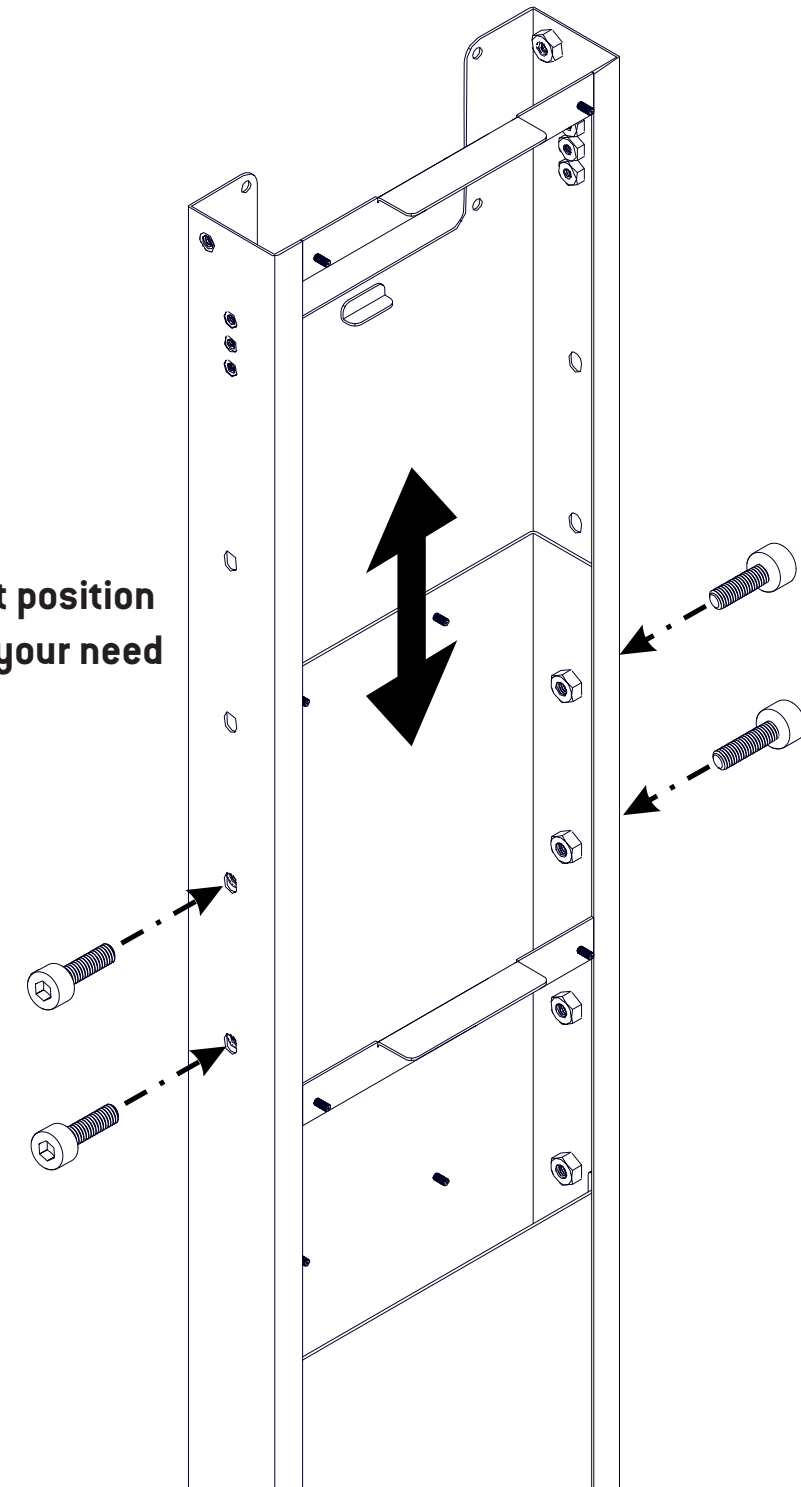
5

Adjust the top base height position according to the poster height you need.

x4

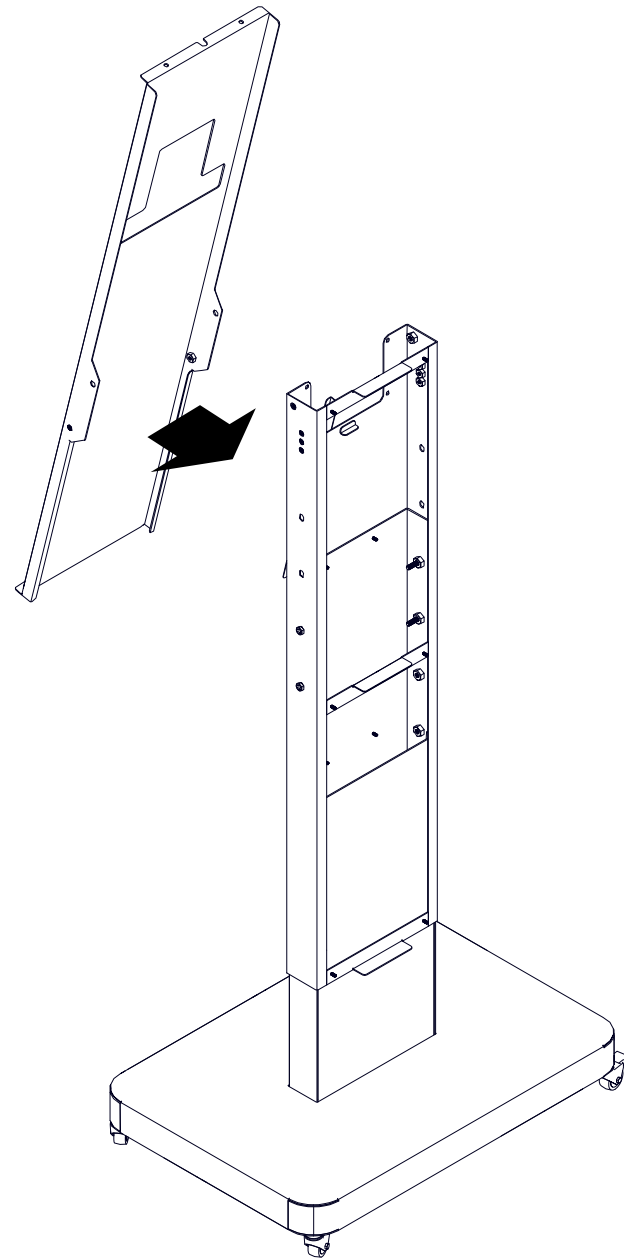


Adjust height position according to your need

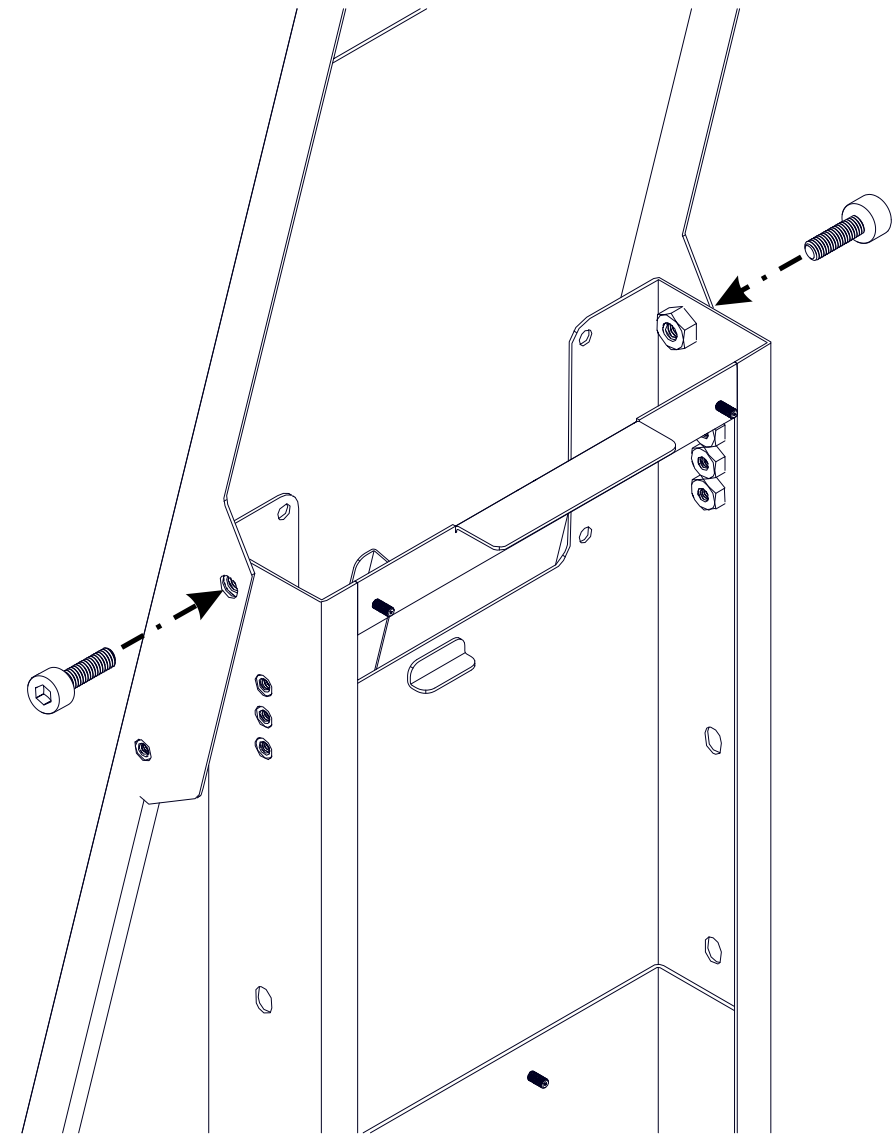
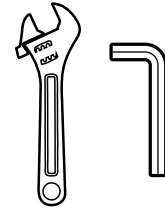


6

Apply the back panel to the top base.

**7**

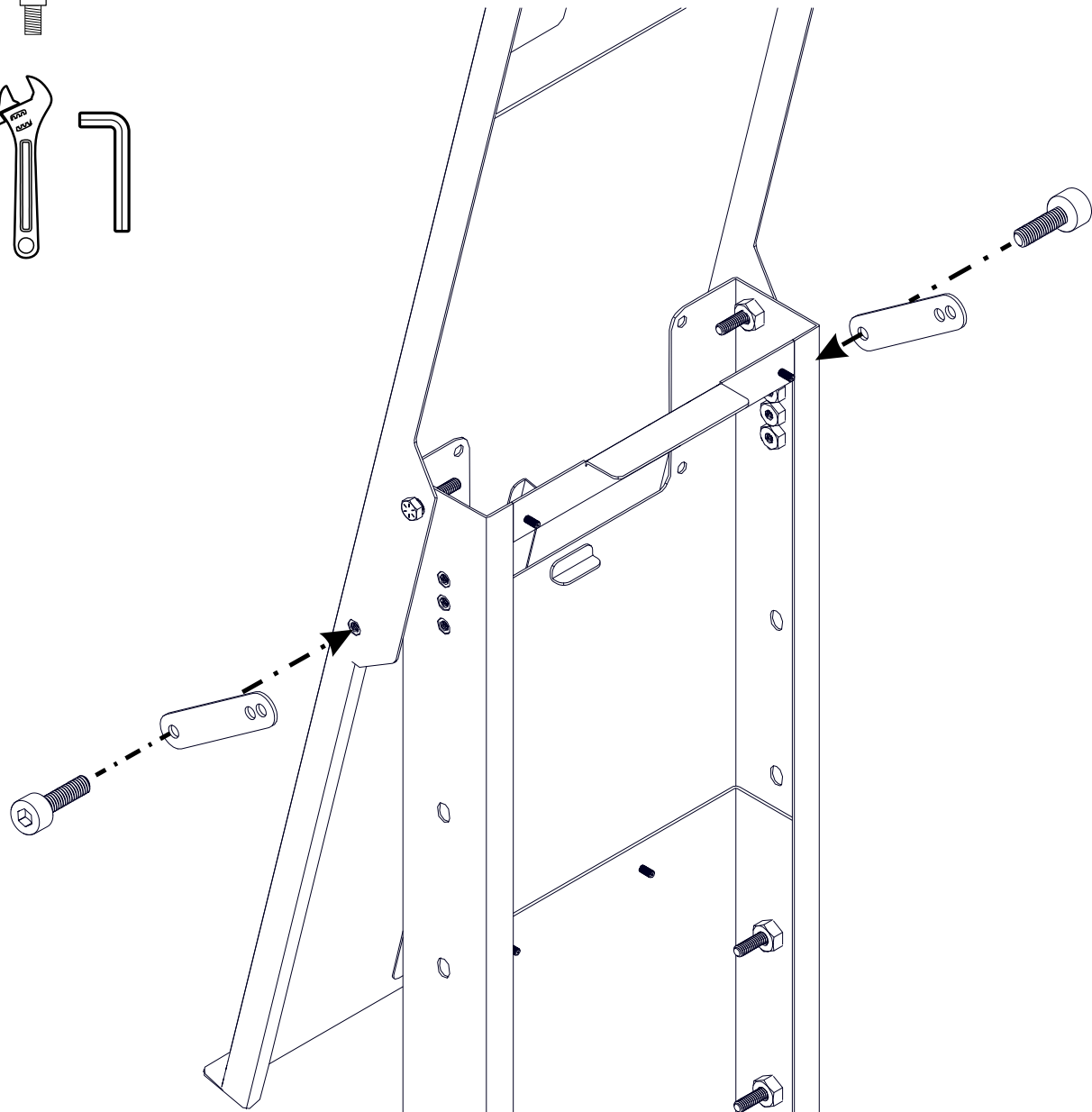
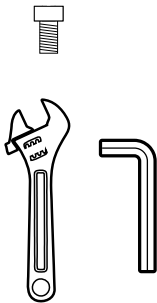
Screw the back panel to the top base.

x2

8

Screw the sides' brackets to the back panel.

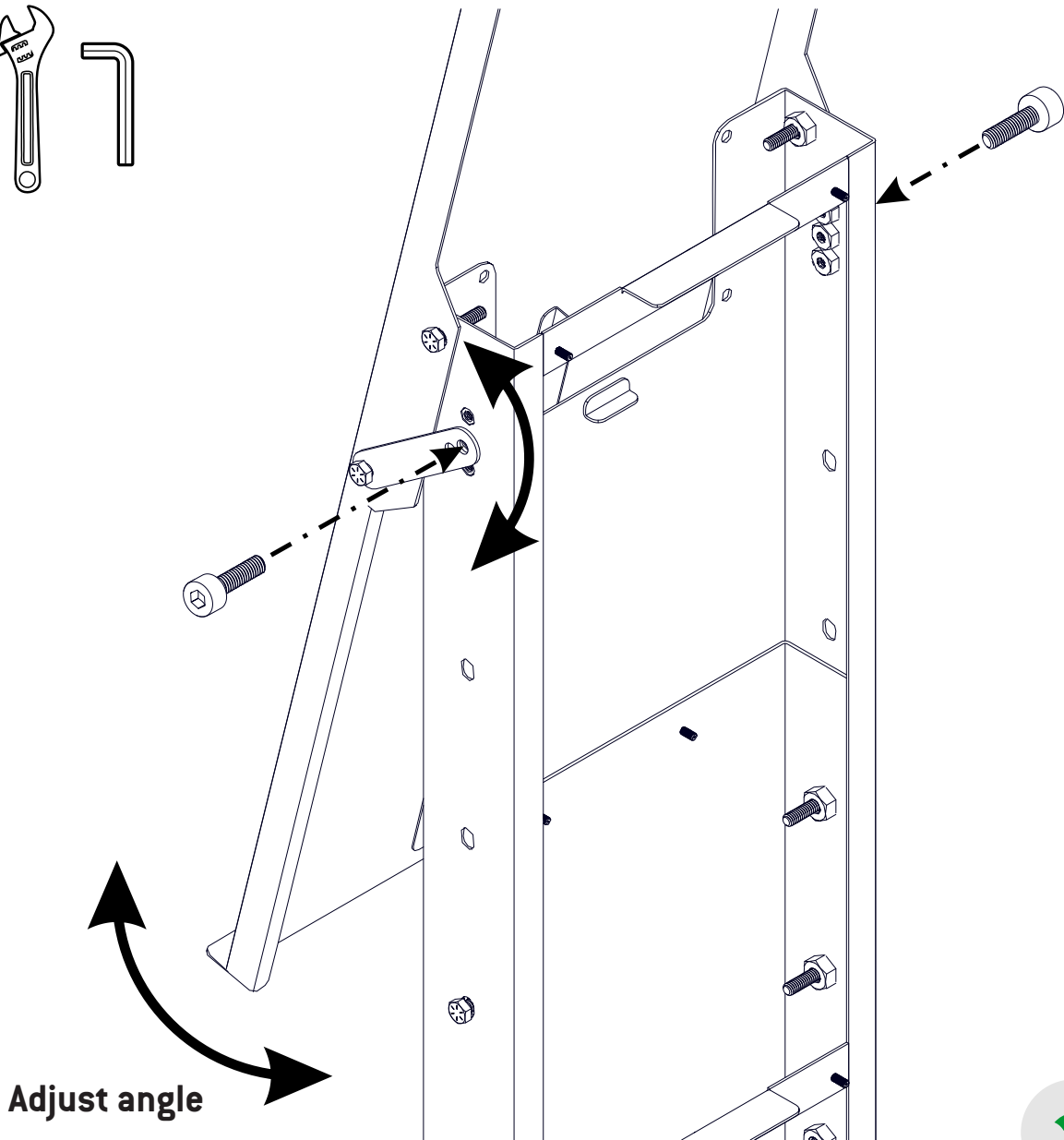
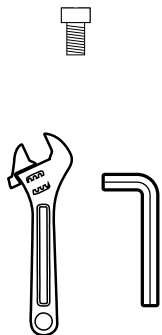
x2



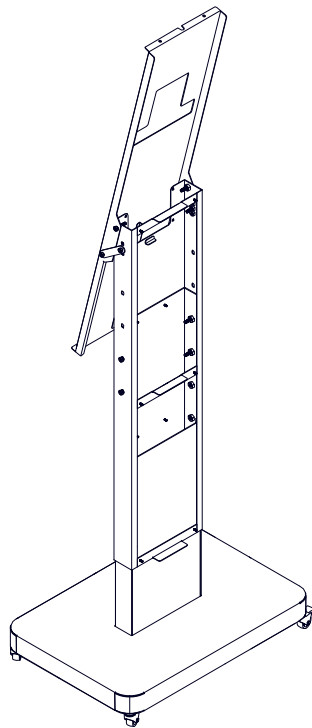
9

Adjust the back panel angle and the sides' brackets according to the angle view you need for the poster. Screw the sides' brackets to the top base structure.

x2



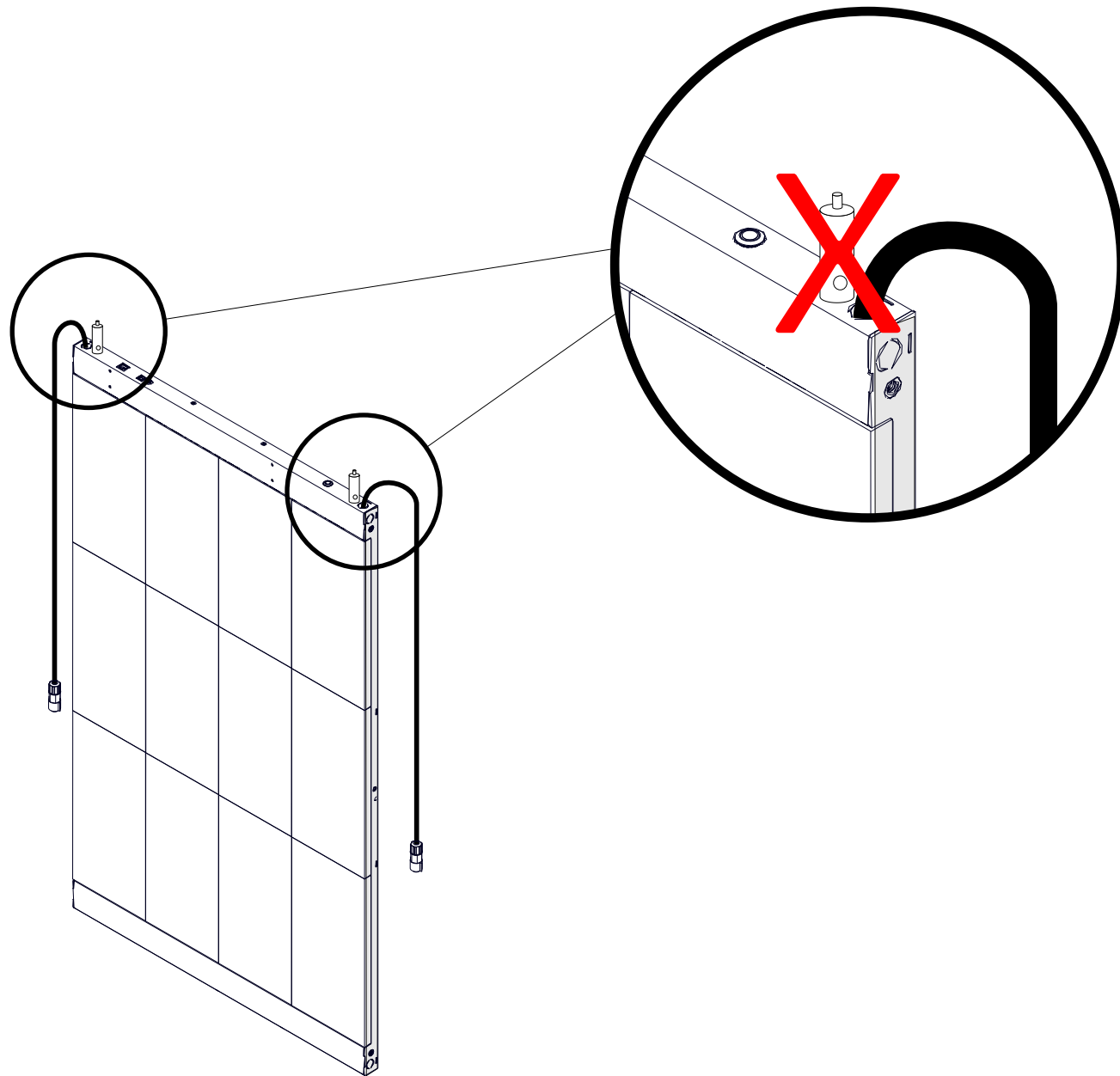
Adjust angle



The rolling stand is ready

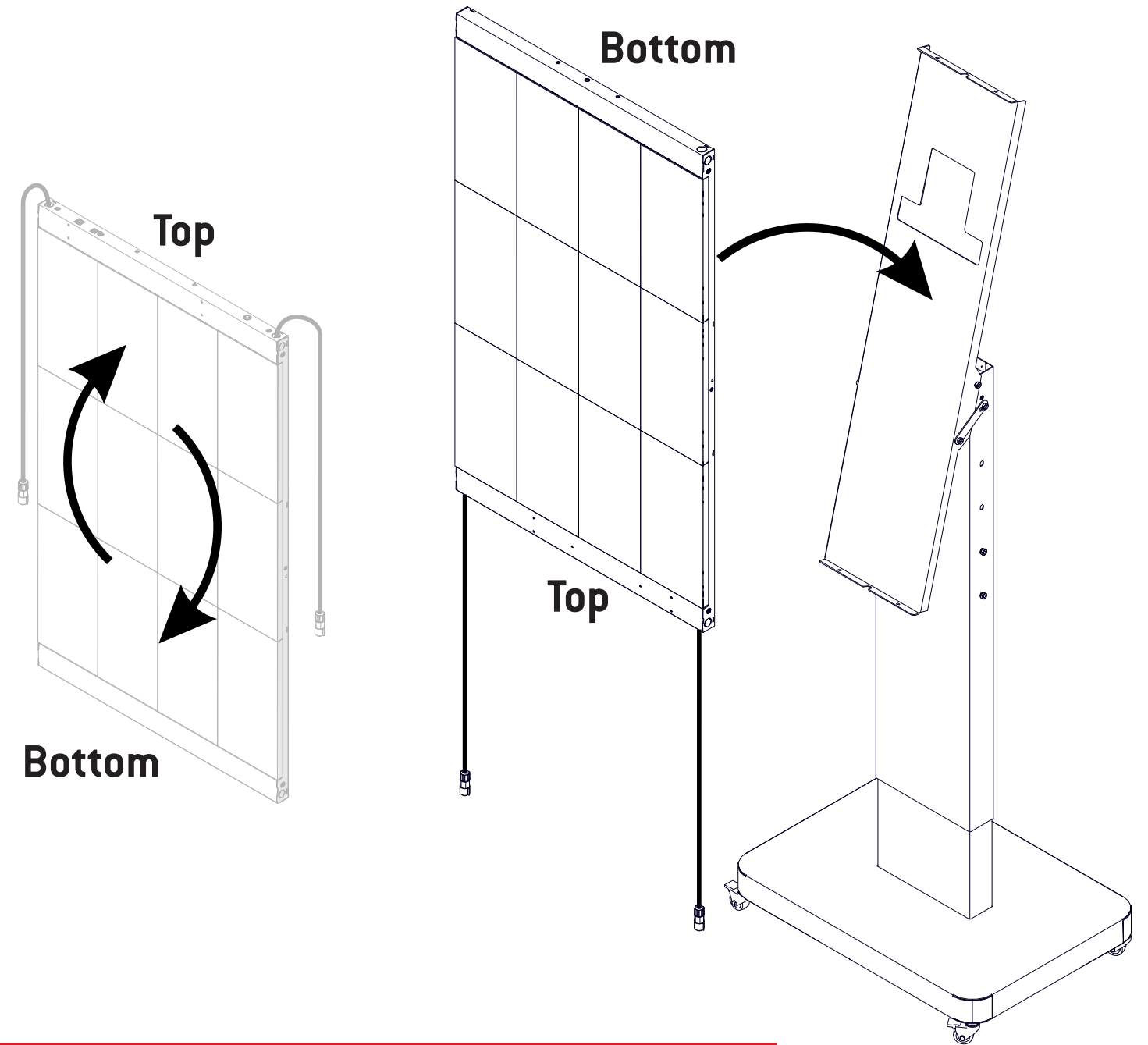
1

Remove all the unnecessary fixtures from the LED Pro Poster.



2

Turn your poster upside down and place it on the back panel.

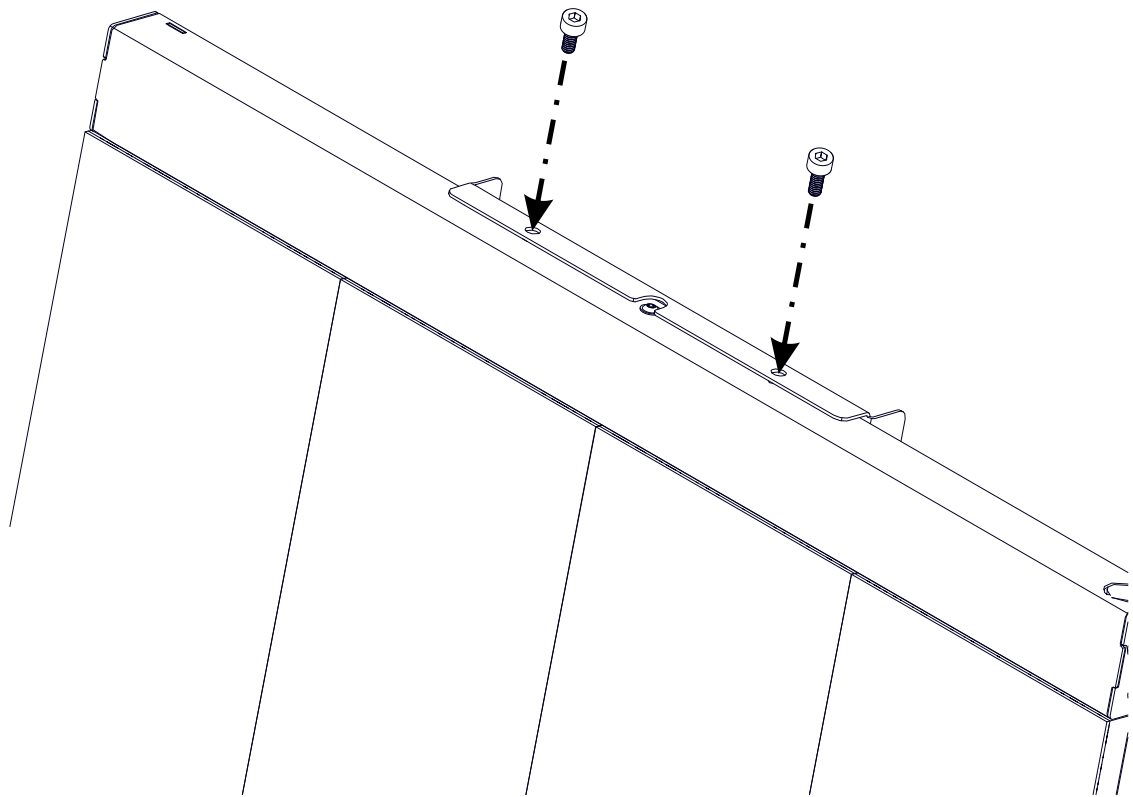


If your image appears upside down in the poster, simply rotate it 180 degrees in the Nummax Manager software (see software guide).

3

Screw the poster on the top.

x2

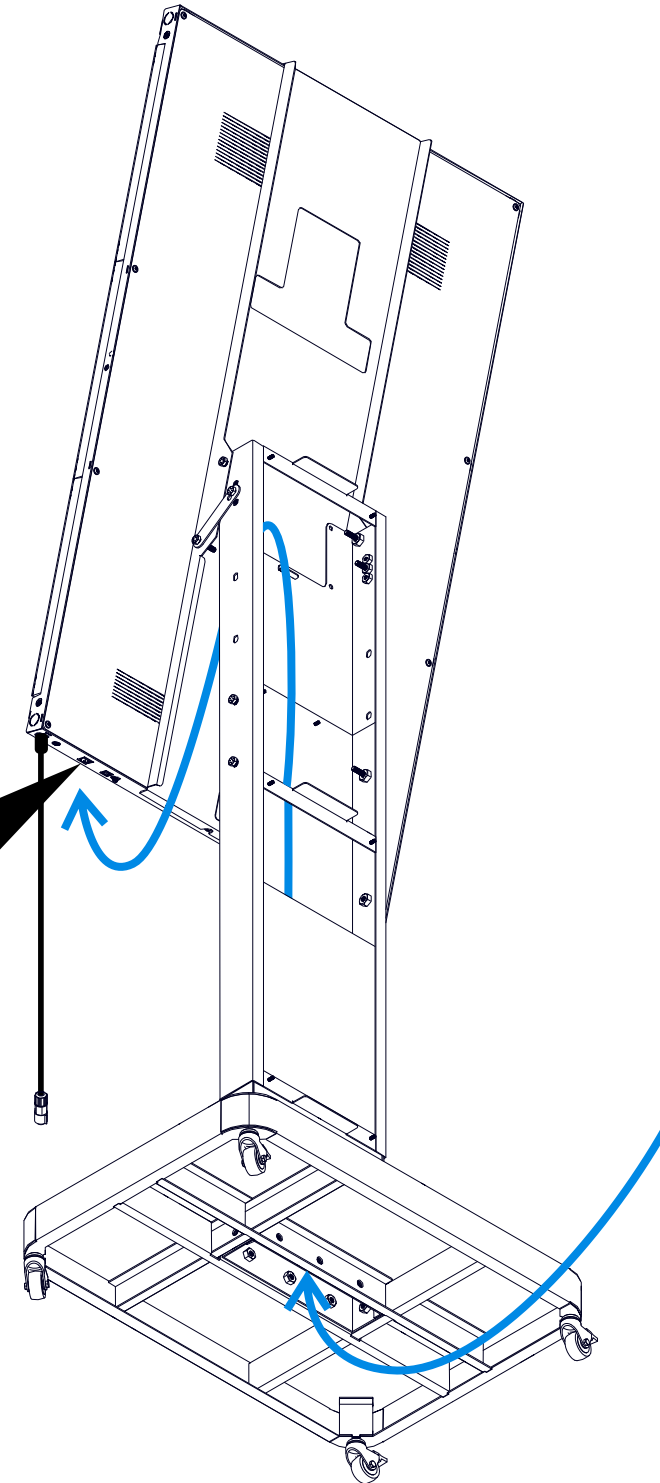
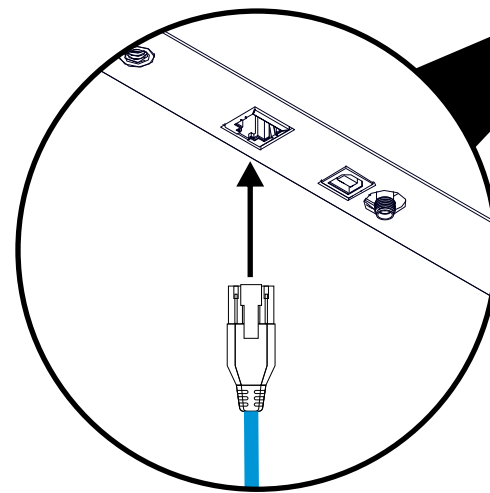


4

Prepare your poster for the internet connexion.

1 Wired connexion, 2 wireless (antenna) or both.

1 Wired



D

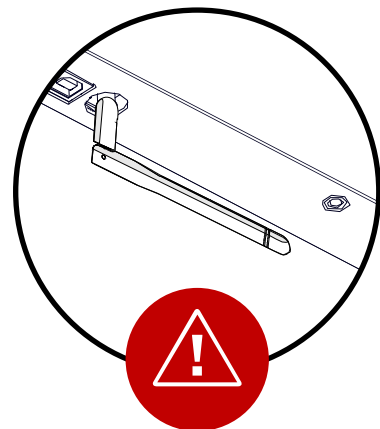
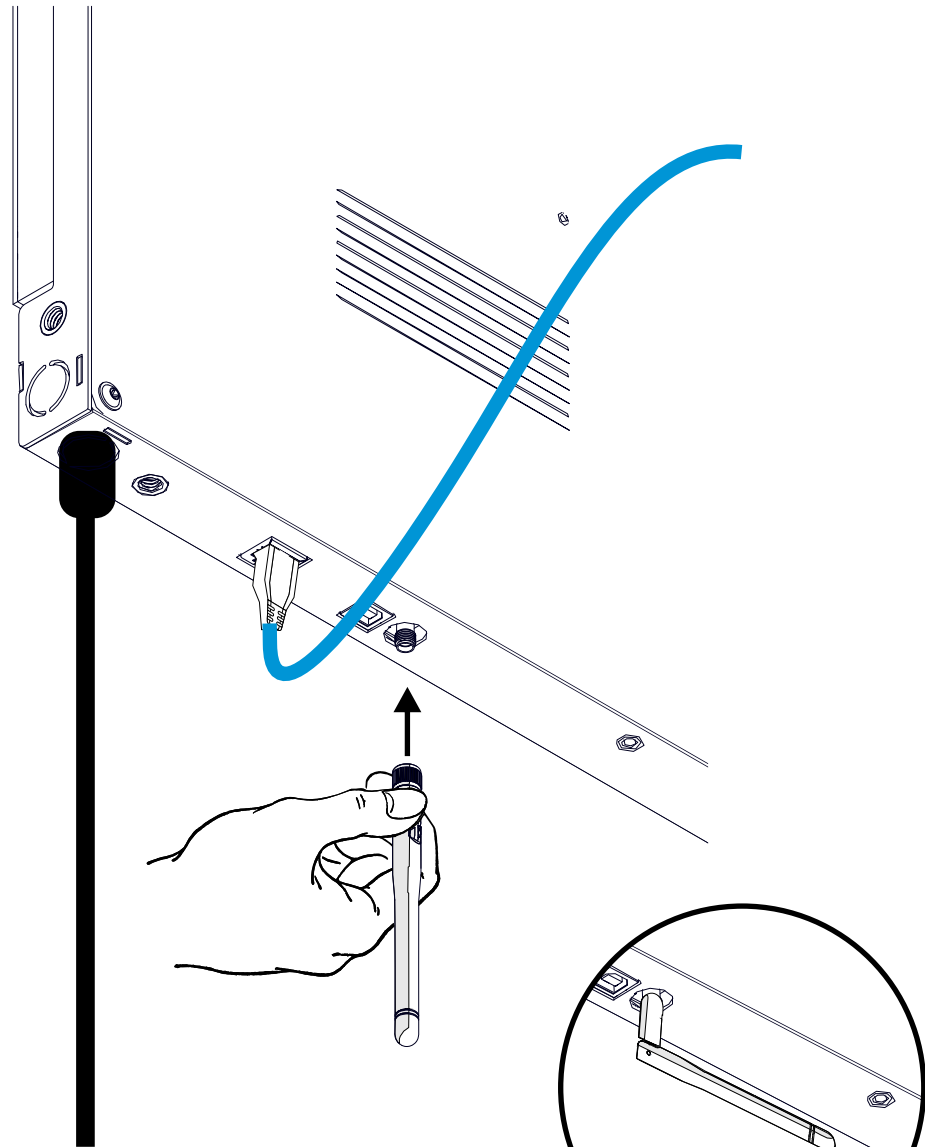
Install your LED Pro Poster


5

Screw the antenna of your LED Pro Poster.
Important: Keep the antenna folded.



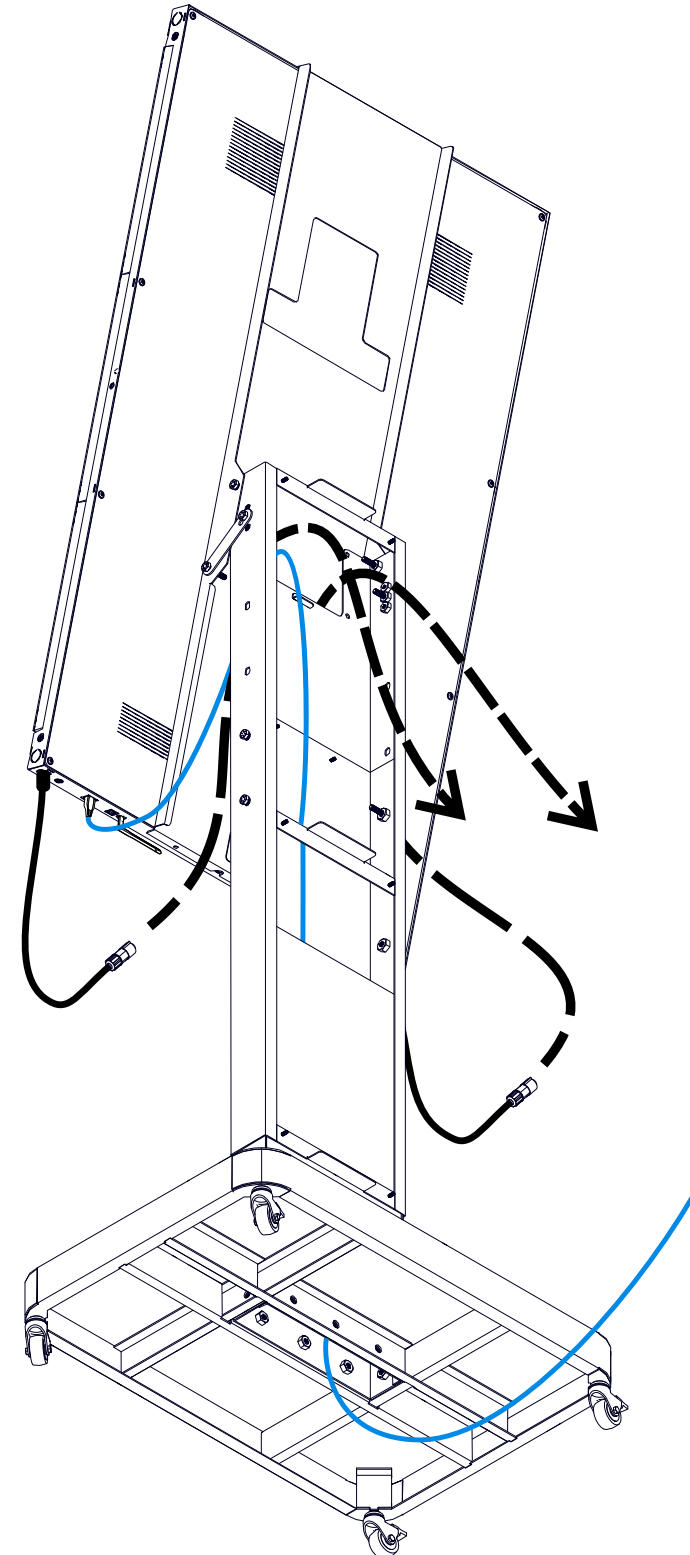
2 Wireless




Fold the antenna

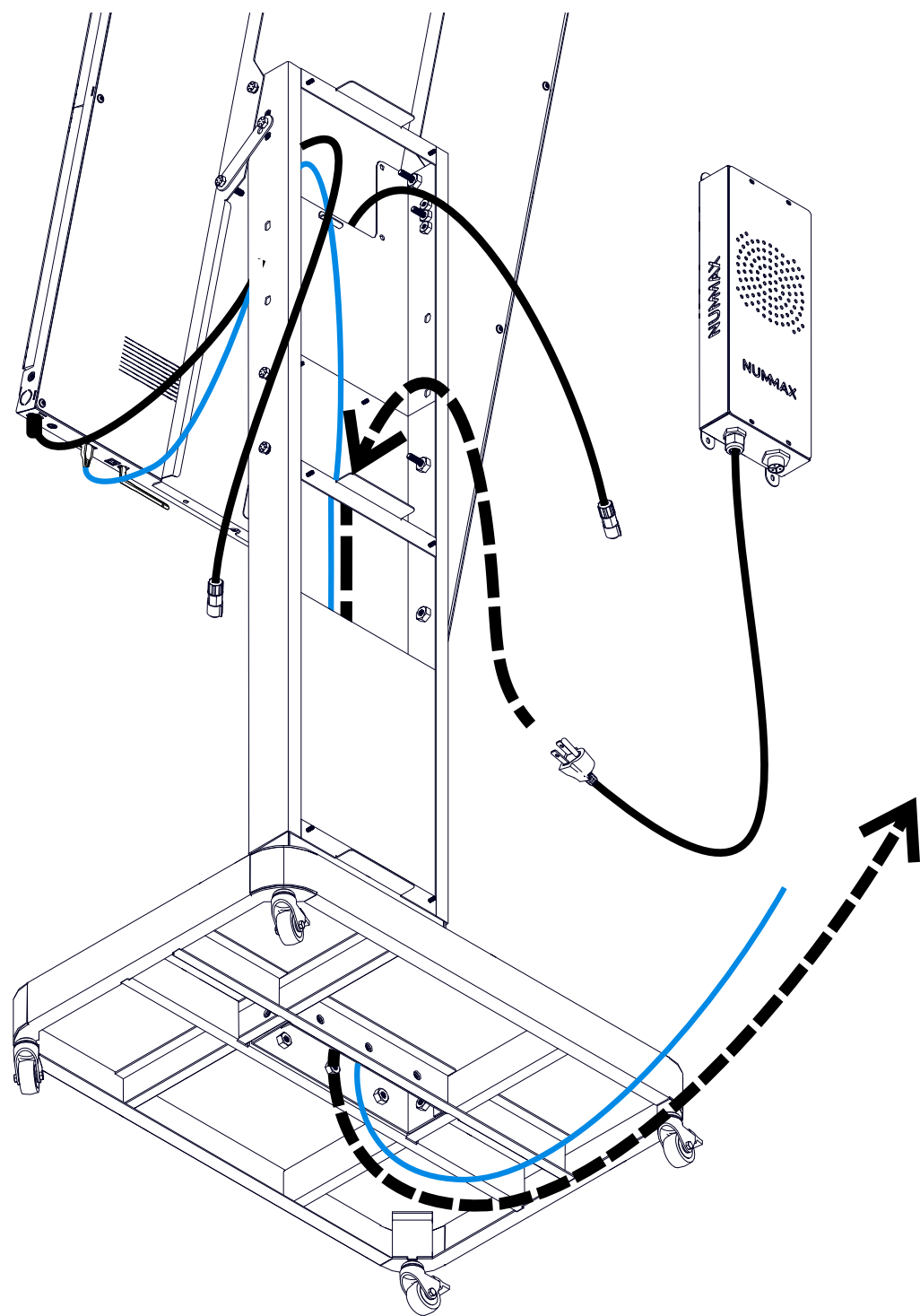
6

Pass the LED Pro Poster cables in the top base.

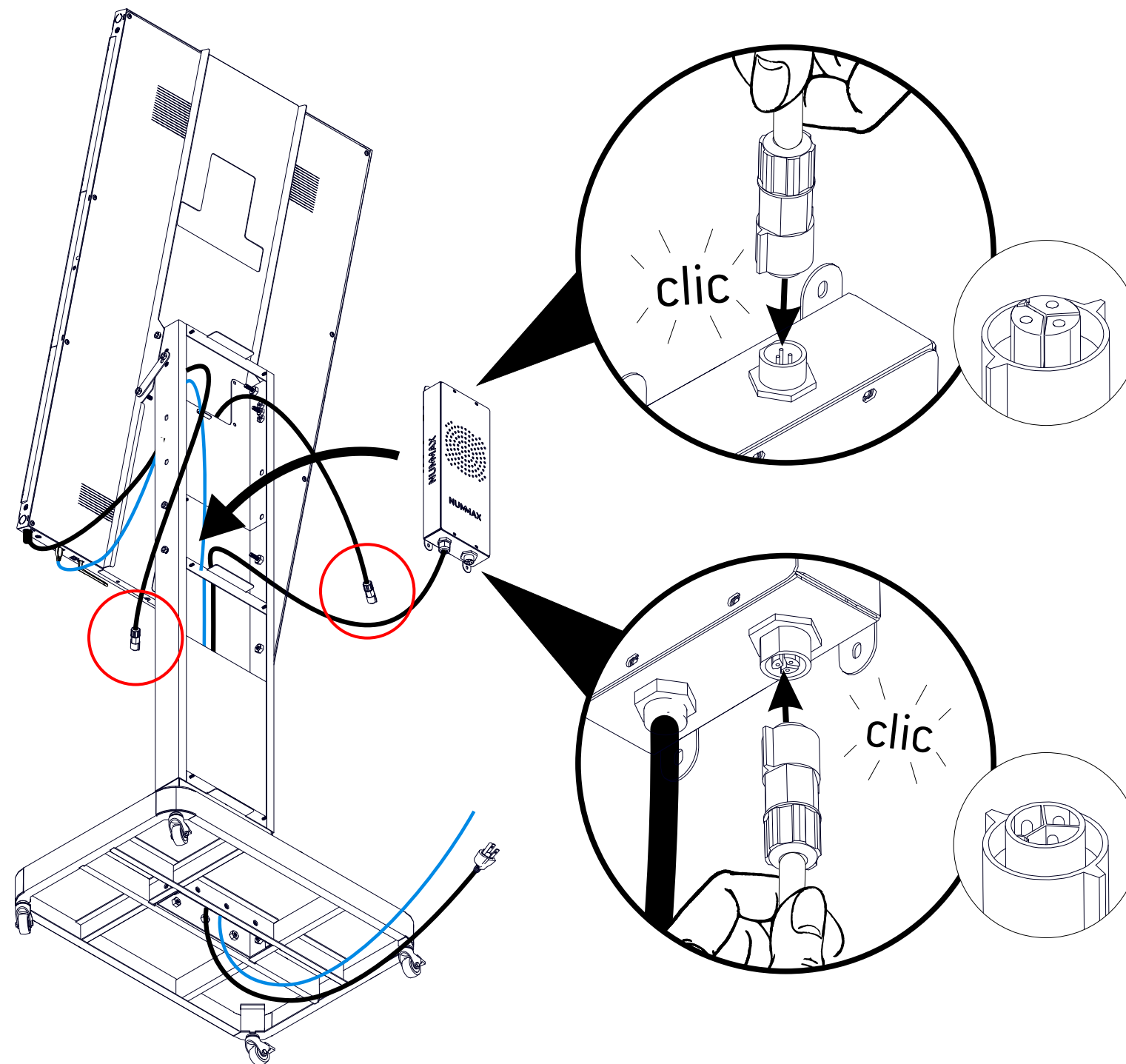


Your poster is installed

1 From the psu block, pass the electrical cable through the top and bottom base.



2 Connect the 2 wires from the LED Pro Poster to the psu.

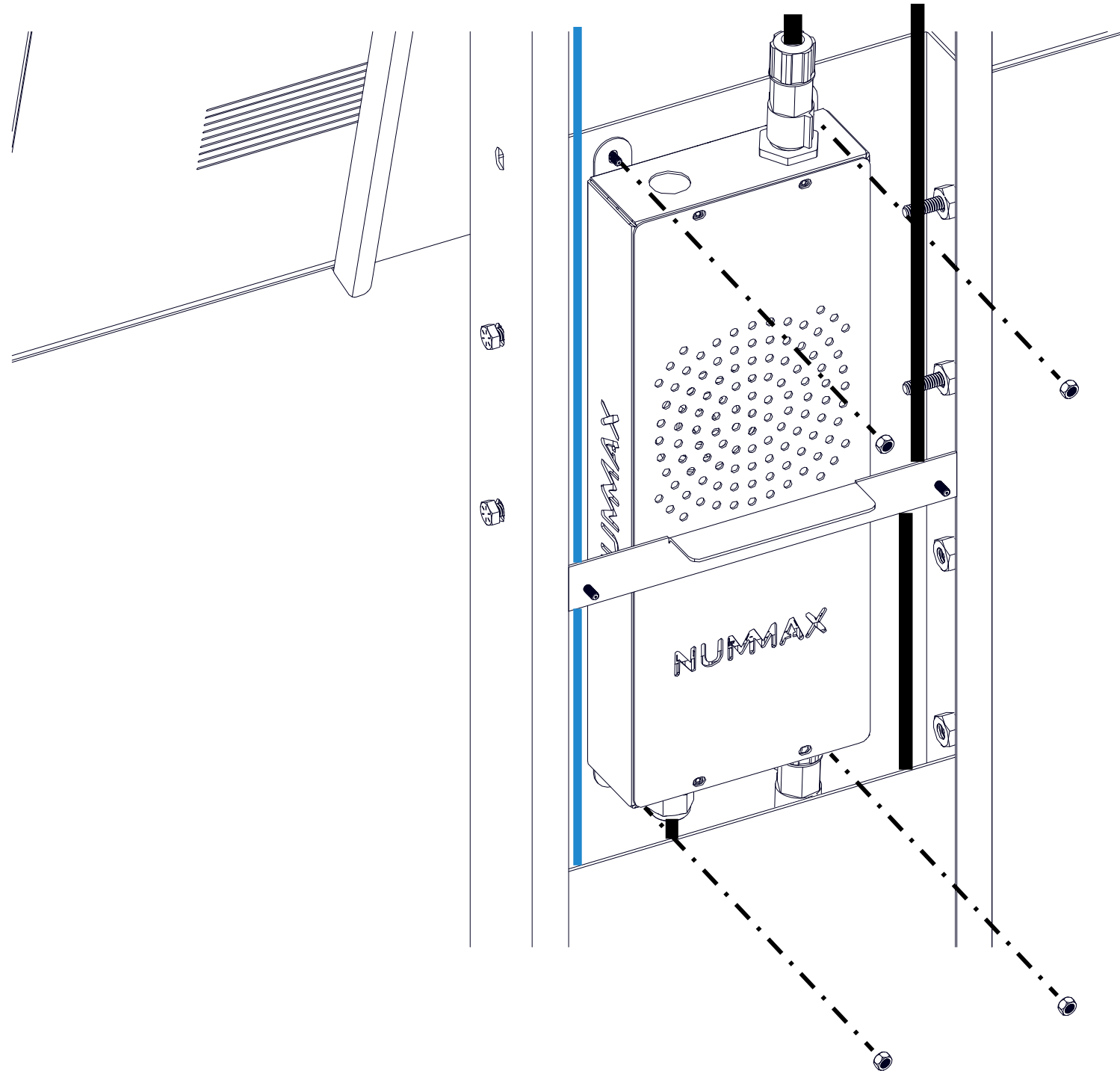
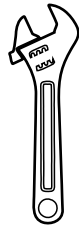


E

Install the power supply

3

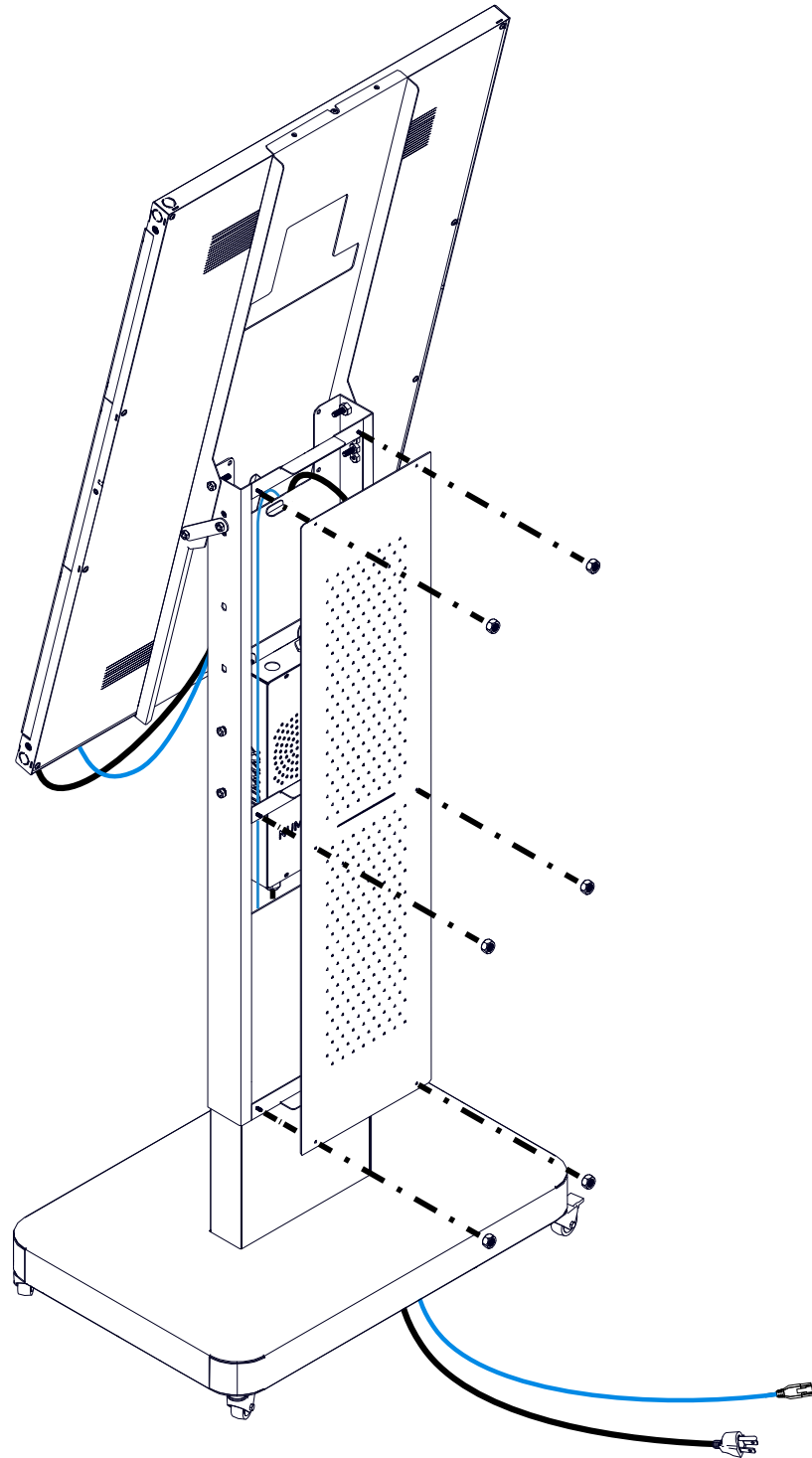
Place the power supply on the pins and bolt the 4 pins.



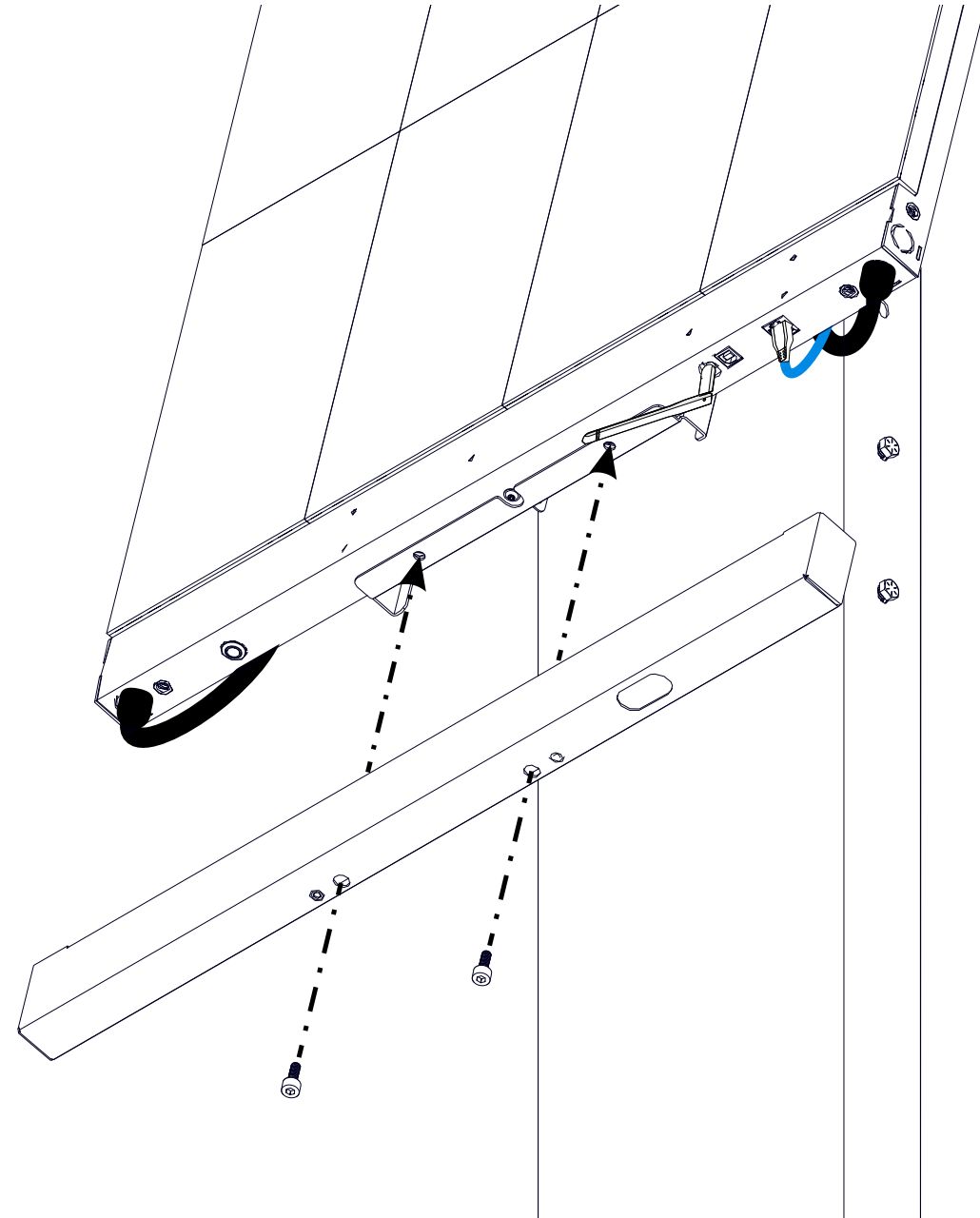
Power supply installed

1

Place the back and screw the pins.

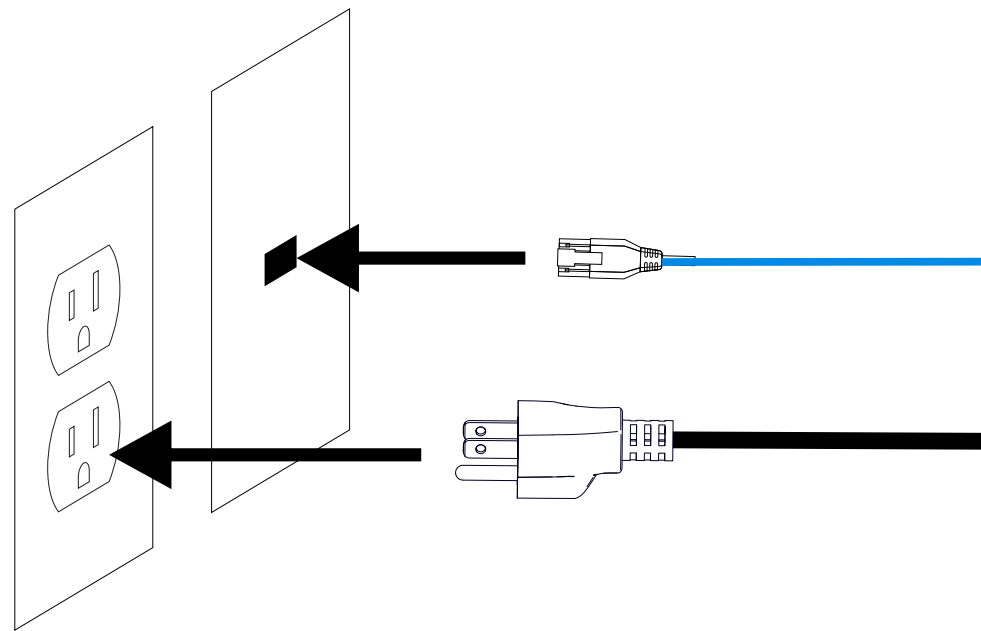
**2**

Place the cover bracket to hide the poster cables and antenna. Screw it through to the poster.



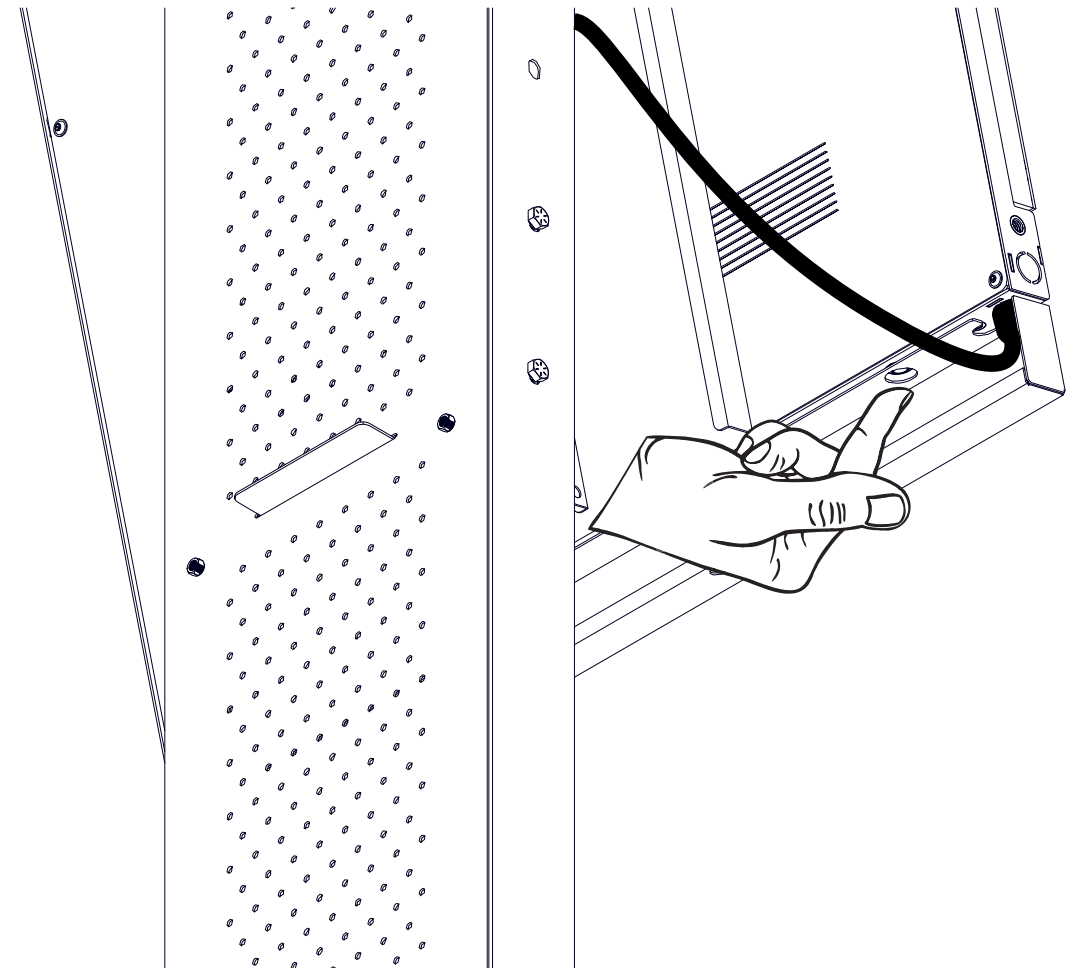
3

Plug the electricity and the LED Pro Poster Internet cable.



4

Switch on your LED Pro Poster.





Warnings

- Do not use this apparatus near water.
- Clean only with a dry cloth.
- Do not block any ventilation openings.
- Install in accordance with the manufacturer's instructions.
- Do not install near any heat sources such as radiators, heat registers, stoves, or other apparatus (including amplifiers) that produce heat.
- Do not defeat the safety purpose of the polarized or grounding-type plug. A grounding type plug has two blades and a third grounding prong. The wide blade or the third prong are provided for your safety. If the provided plug does not fit into your outlet, consult an electrician for replacement of the obsolete outlet (Can differ by country).
- Protect the power cord from being walked on or pinched particularly at plugs, convenience receptacles, and the point where they exit from the apparatus.
- Refer all servicing to qualified service personnel. Servicing is required when the apparatus has been damaged in any way, such as power-supply cord or plug is damaged, liquid has been spilled or objects have fallen into the apparatus, the apparatus has been exposed to rain or moisture, does not operate normally, or has been dropped.
- Do not stick metal objects or any other conductive material into the power cord. Do not touch the end of the power cord while it is plugged in.
- To reduce the risk of fire or electrical shock, do not expose this product to rain, moisture or other liquids. Do not touch the display with wet hands. Do not install this product near flammable objects such as gasoline or candles, or expose the display to direct air conditioning.
- Do not expose to dripping or splashing and do not place objects filled with liquids, such as vases, cups, etc. on or over the apparatus (e.g. On shelves above the unit).

Nummax cannot be held responsible for:

- Wall support systems, material, fixture and screws in the event of a panel fall
- Misuse, disassembly into parts or vandalism
- Any electric shock
- Any other case of force majeure

ALWAYS UNPLUG THE PANEL BEFORE WORKING IN IT

TO REDUCE THE RISK OF ELECTRIC SHOCK DO NOT REMOVE COVER (OR BACK). NO USER SERVICEABLE PARTS INSIDE. REFER TO QUALIFIED SERVICE PERSONNEL.