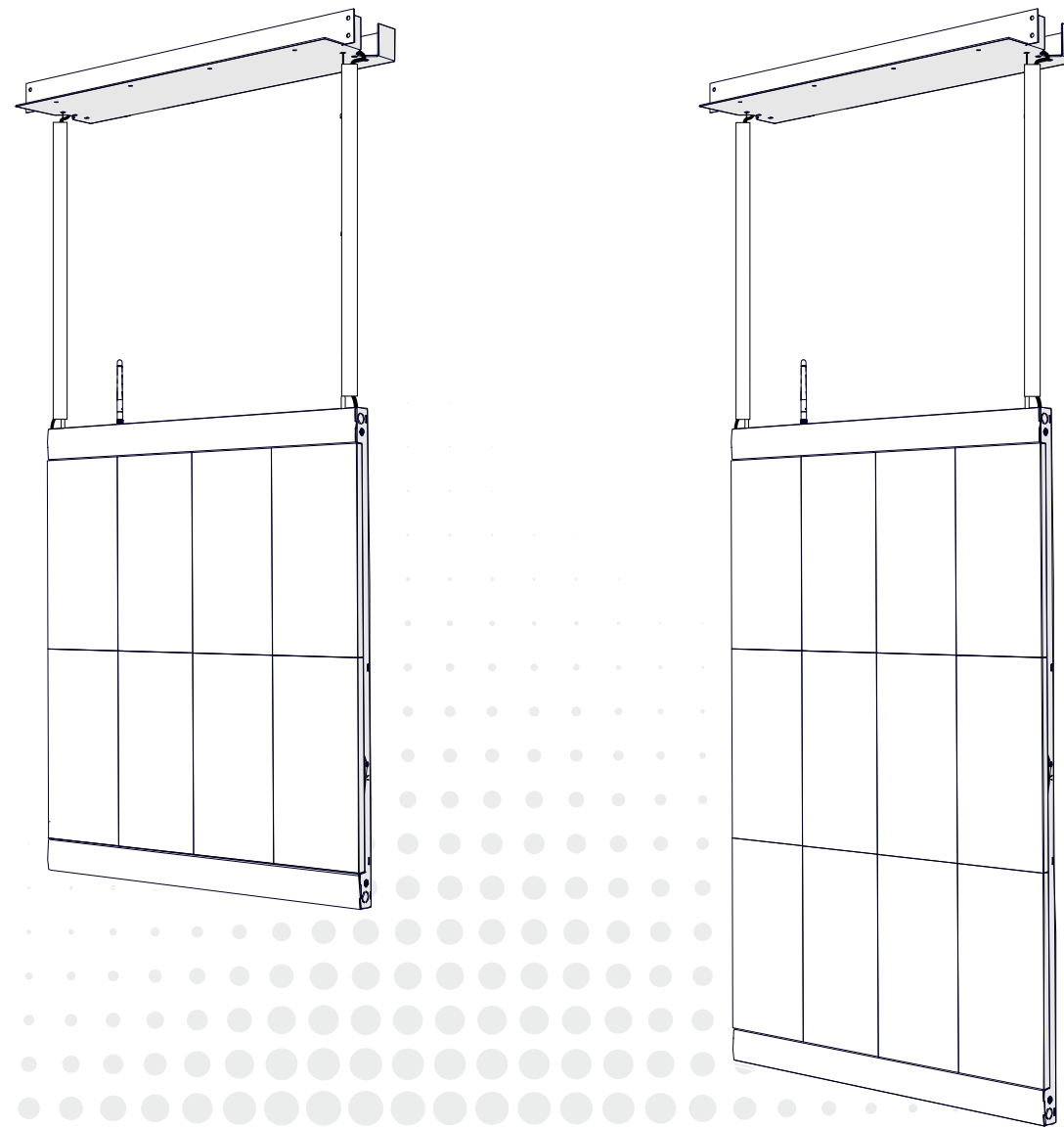




Installation guide



Easy steps Installation!

- A** General view
- B** Unpack the LED Poster kit
- C** Option1: Install the bracket on window's frame
- D** Option 2: Install the bracket on the ceiling
- E** Hang the LED Poster
- F** Connect electrical cables
- G** Install the power supply
- H** Finalization

LED Poster maintenance: Module replacement
Warnings



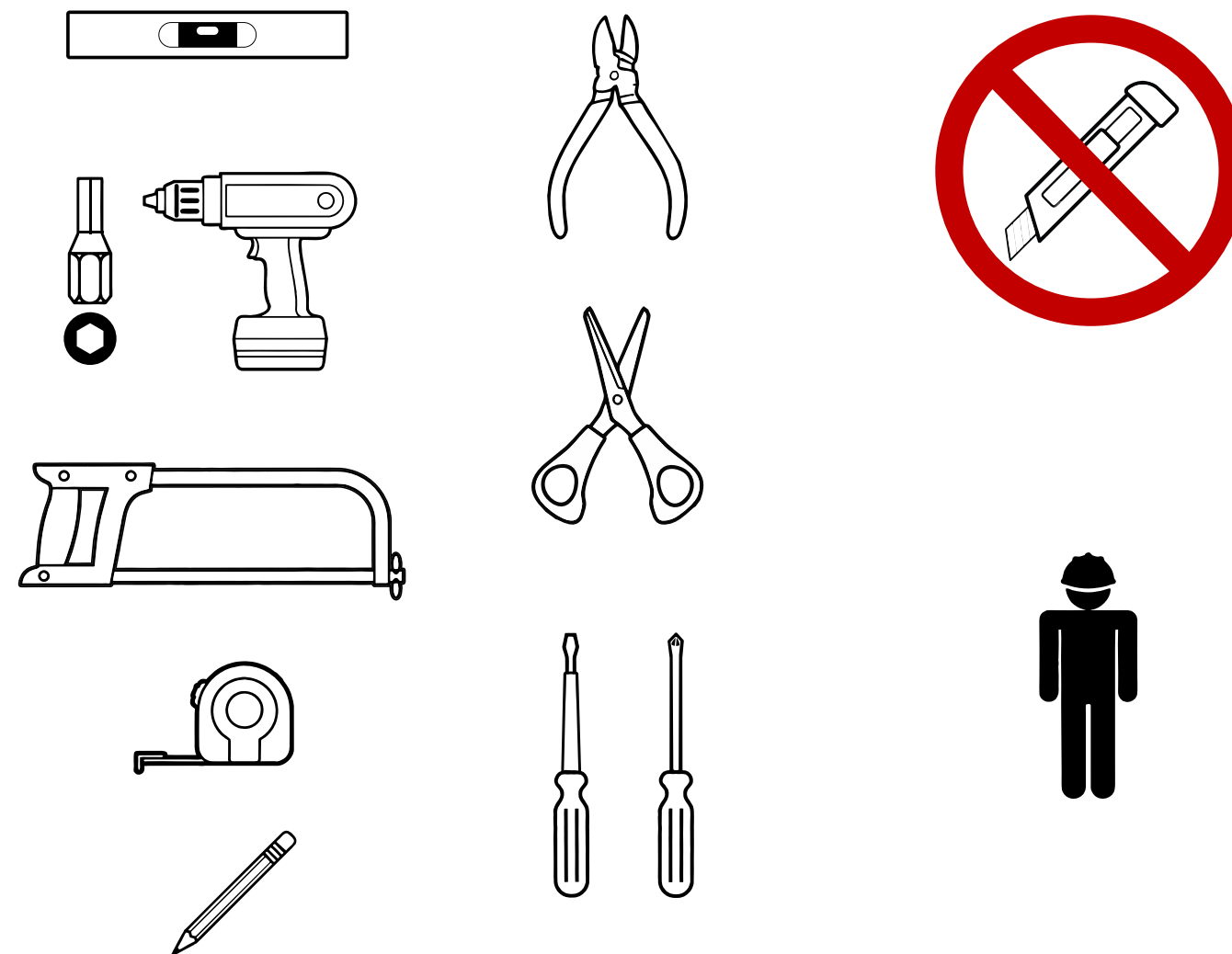
NUMMAX TECH SUPPORT

+1 877 255-3471 #205 (EST)

service@nummax.com

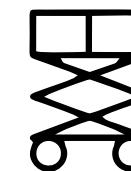
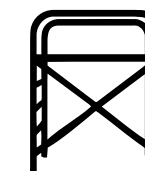
® FC CE

You will need



1. The installation depends on the installer technician. Nummax can not be held responsible for any non-compliant or unsafe installation.
2. Adapt bolts, screws, anchors and material to the surface and according to your local safety standards.
3. For security and certification matters, you must never drill or perforate the display's frame or structure.

Use the needed proper equipment for a secured installation

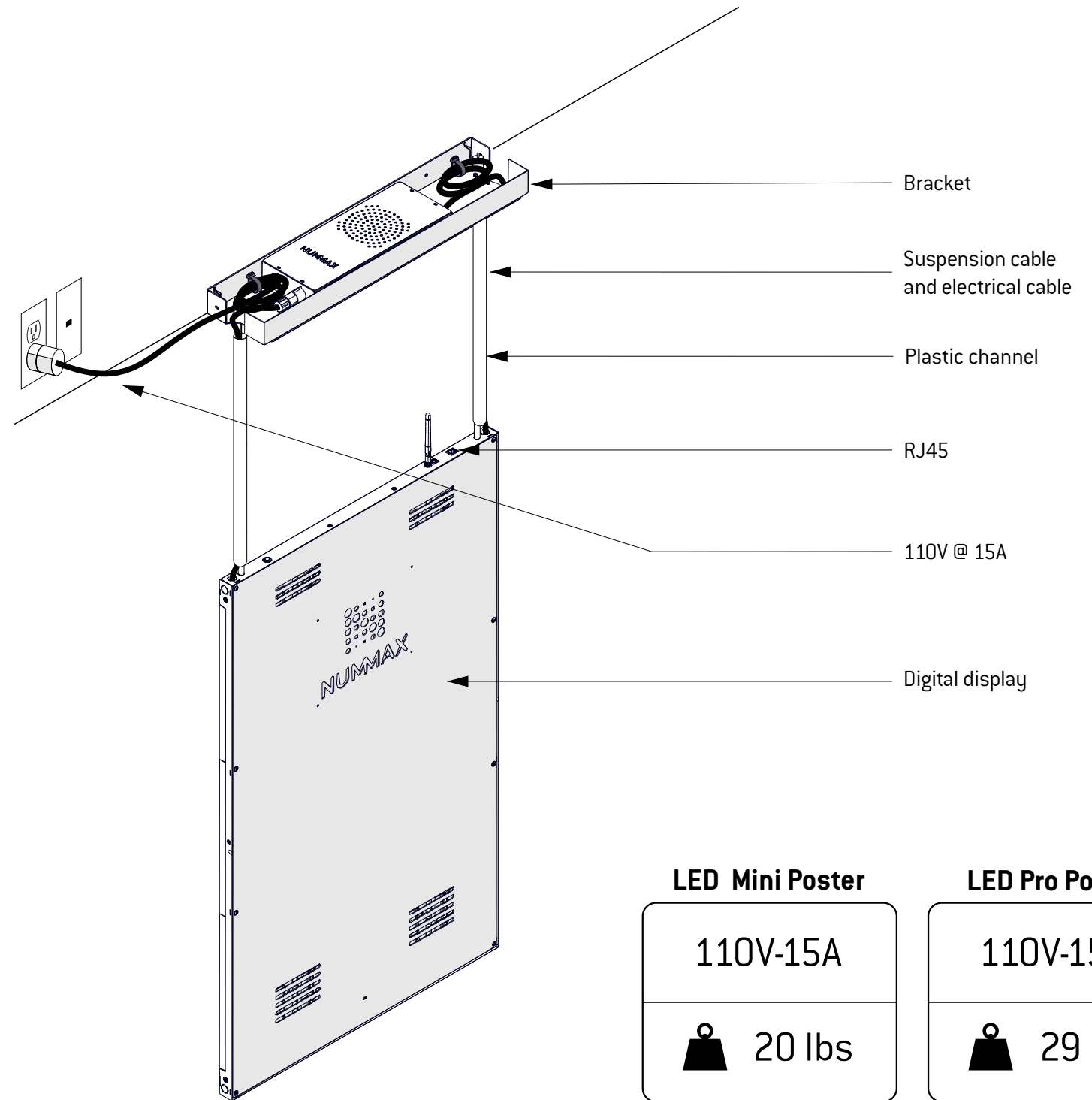
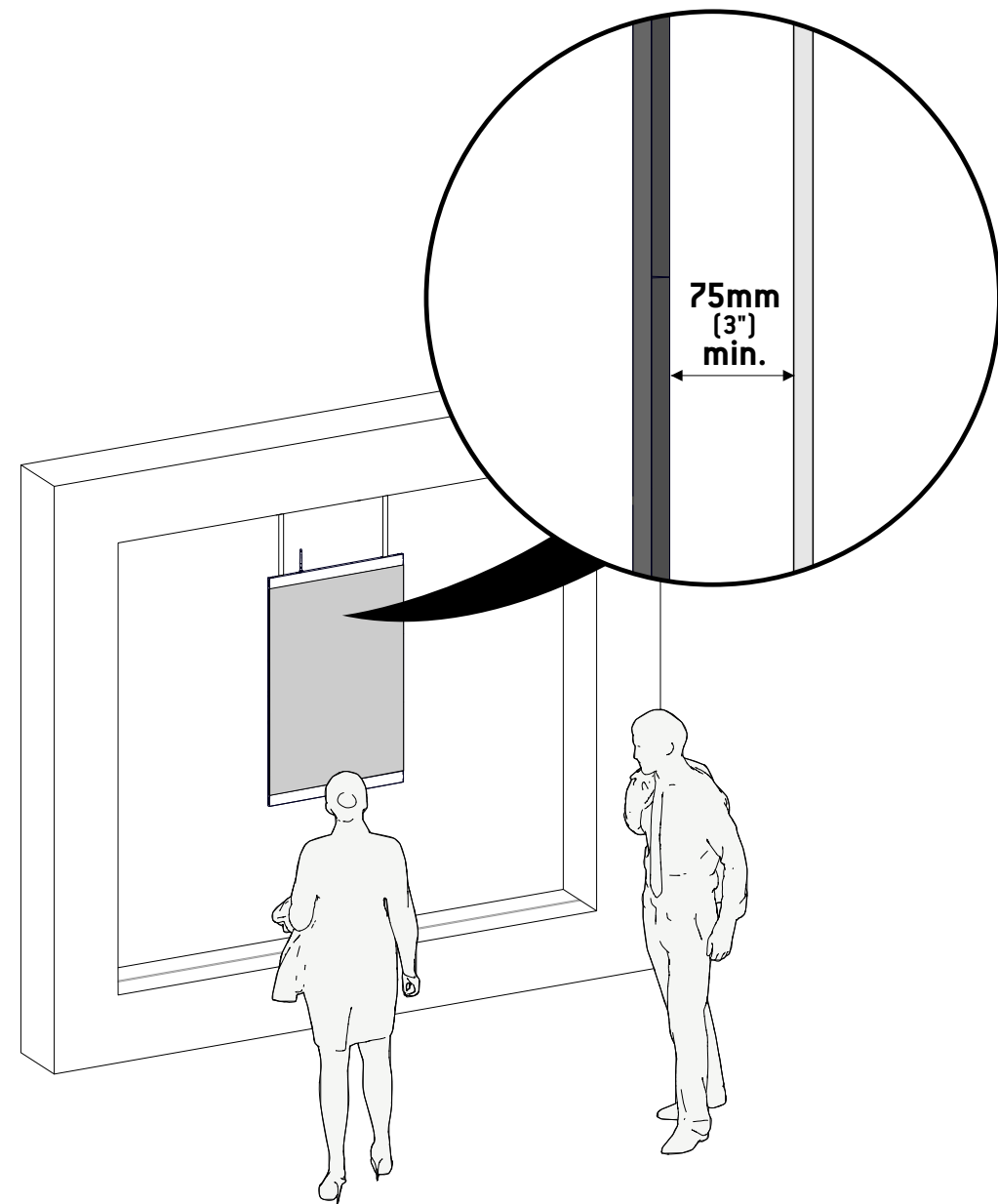


Your digital LED Poster can be installed behind a window.

Adjust distance from the glass according to your local regulation but we recommend to **install at a minimum of 75mm (3") from a windows**

Install an electrical line 110V@15A with pending NEMA 5-15R.

Optional: Install a RJ45 network line to connect on the top of the LED Poster



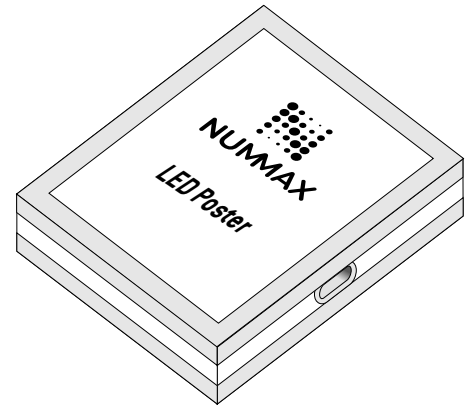
LED Mini Poster

110V-15A
20 lbs

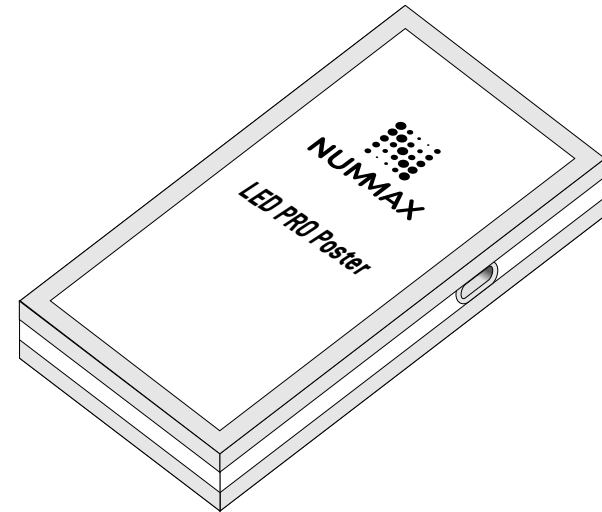
LED Pro Poster

110V-15A
29 lbs

Release the cardboard cover.

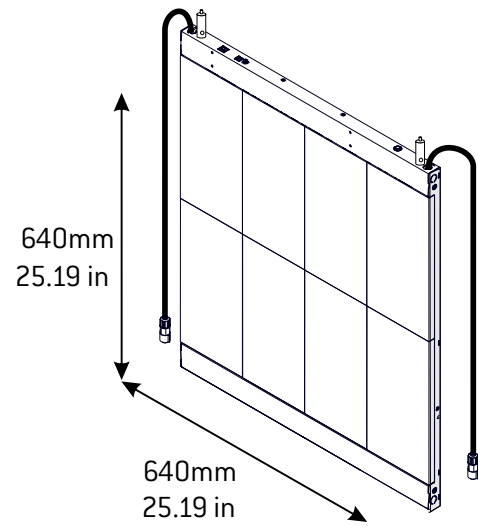


LED Mini Poster

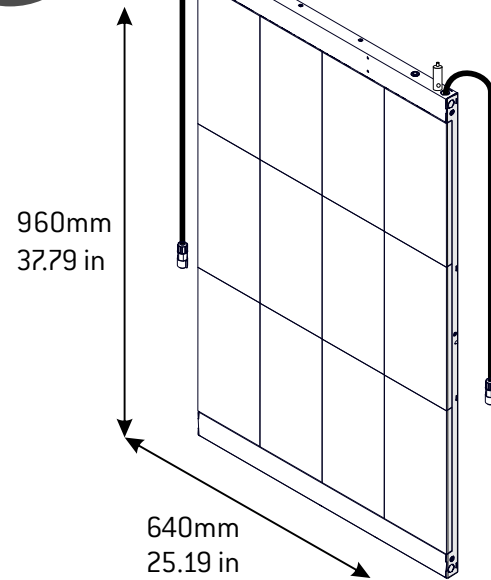


LED Pro Poster

or



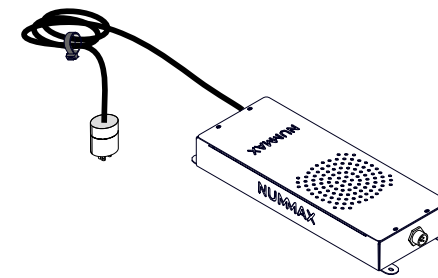
x1



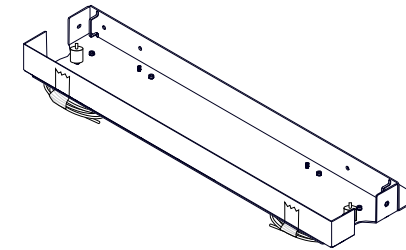
x1

Parts

x1
Power supply



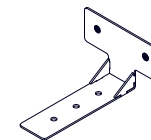
x1
Poster bracket



OPTIONAL

Ceiling installation bracket

x2



Accessories

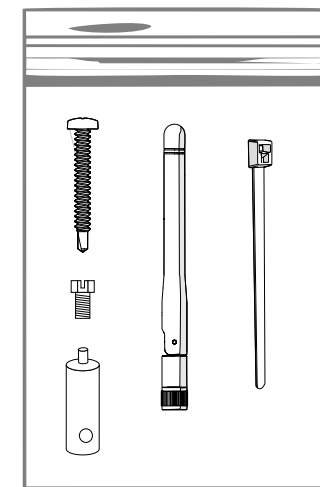
x2
Plastic channel



x1
USB A-B cable



x8
Poster bracket
screws
x4
Ceiling brackets
screws
x1
Spare hanging bolt



x6
Tie wrap

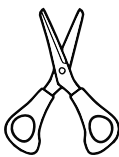
x1
Wifi antenna

B

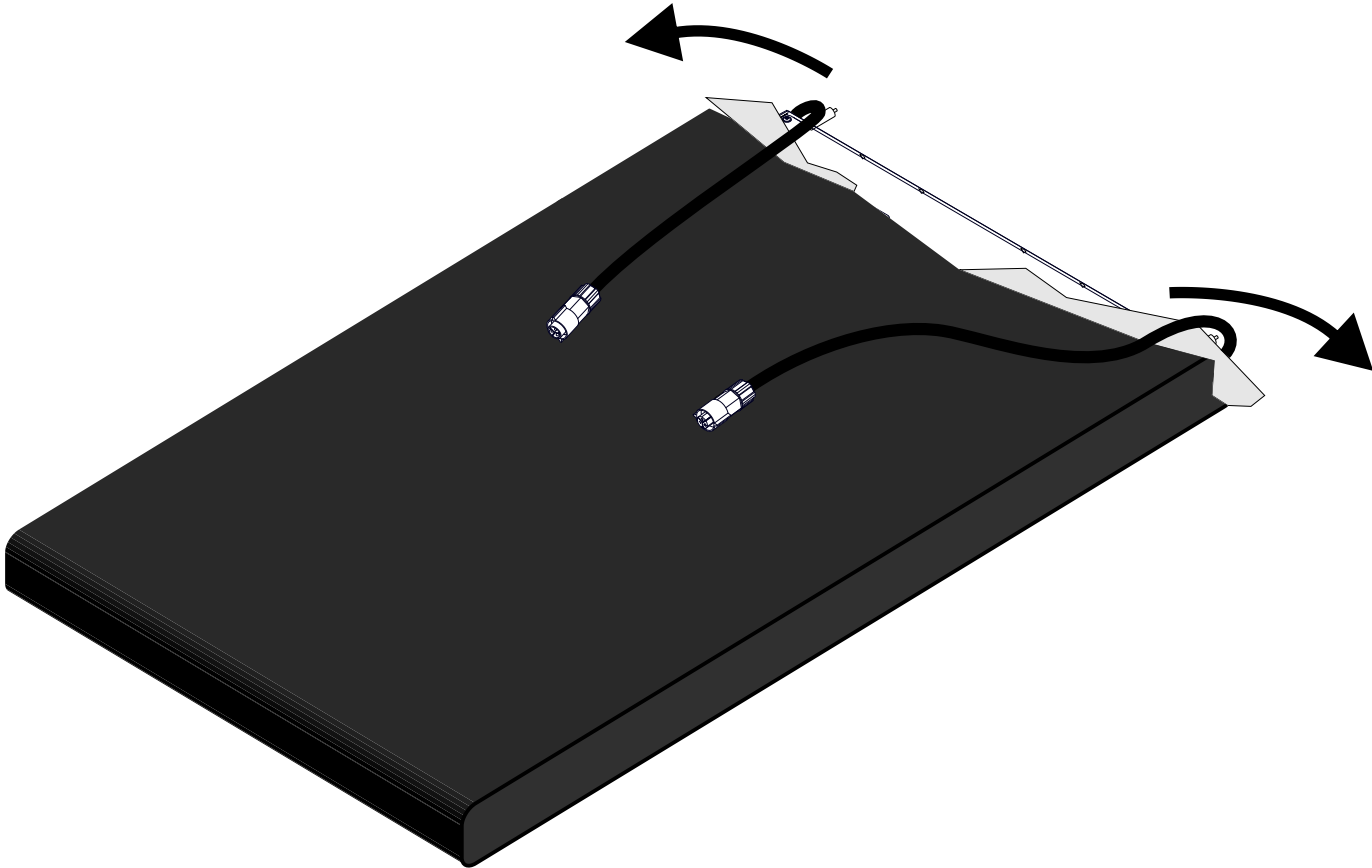
Unpack the LED Poster kit

1

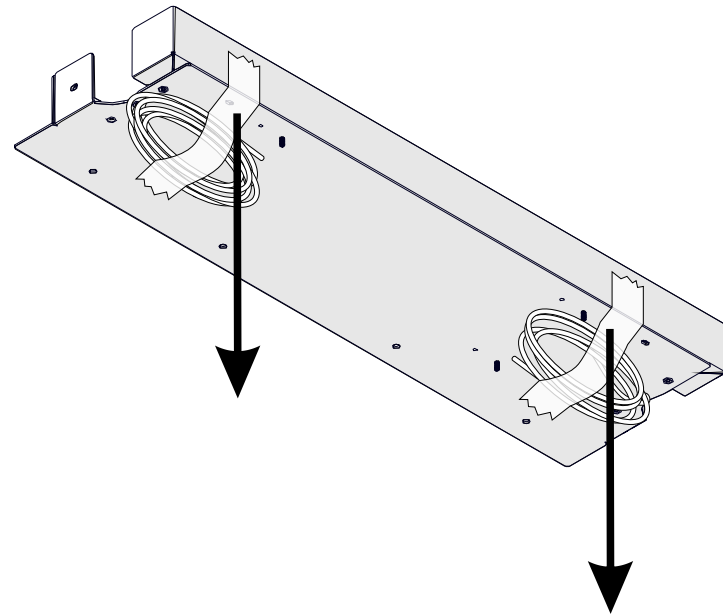
Unwrap the top of the display to access.
DO NOT USE A CUTTER.



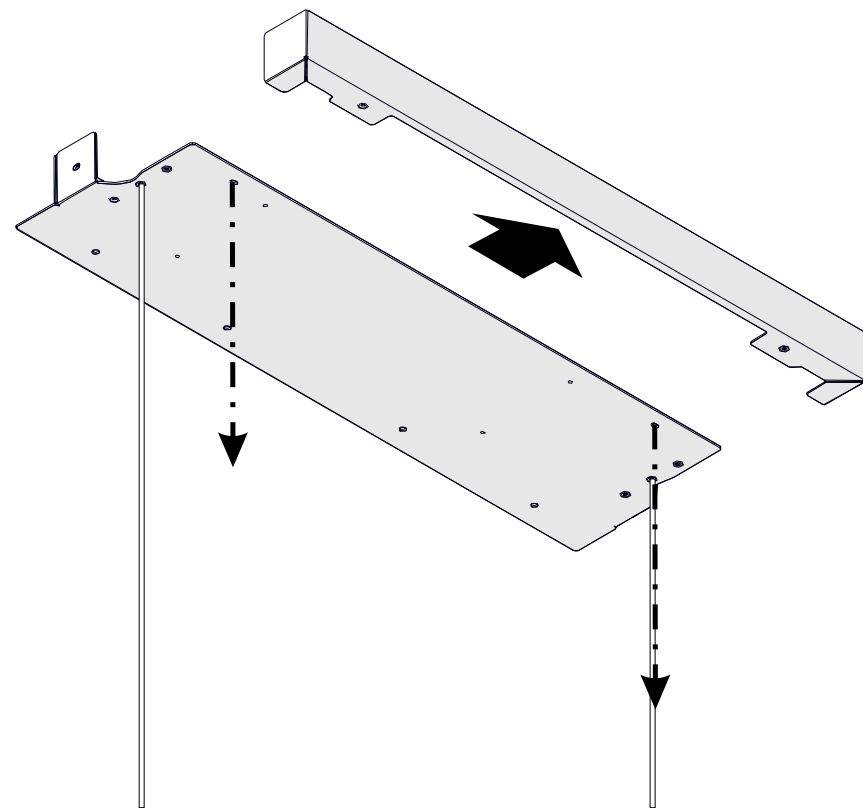
Release only the display top



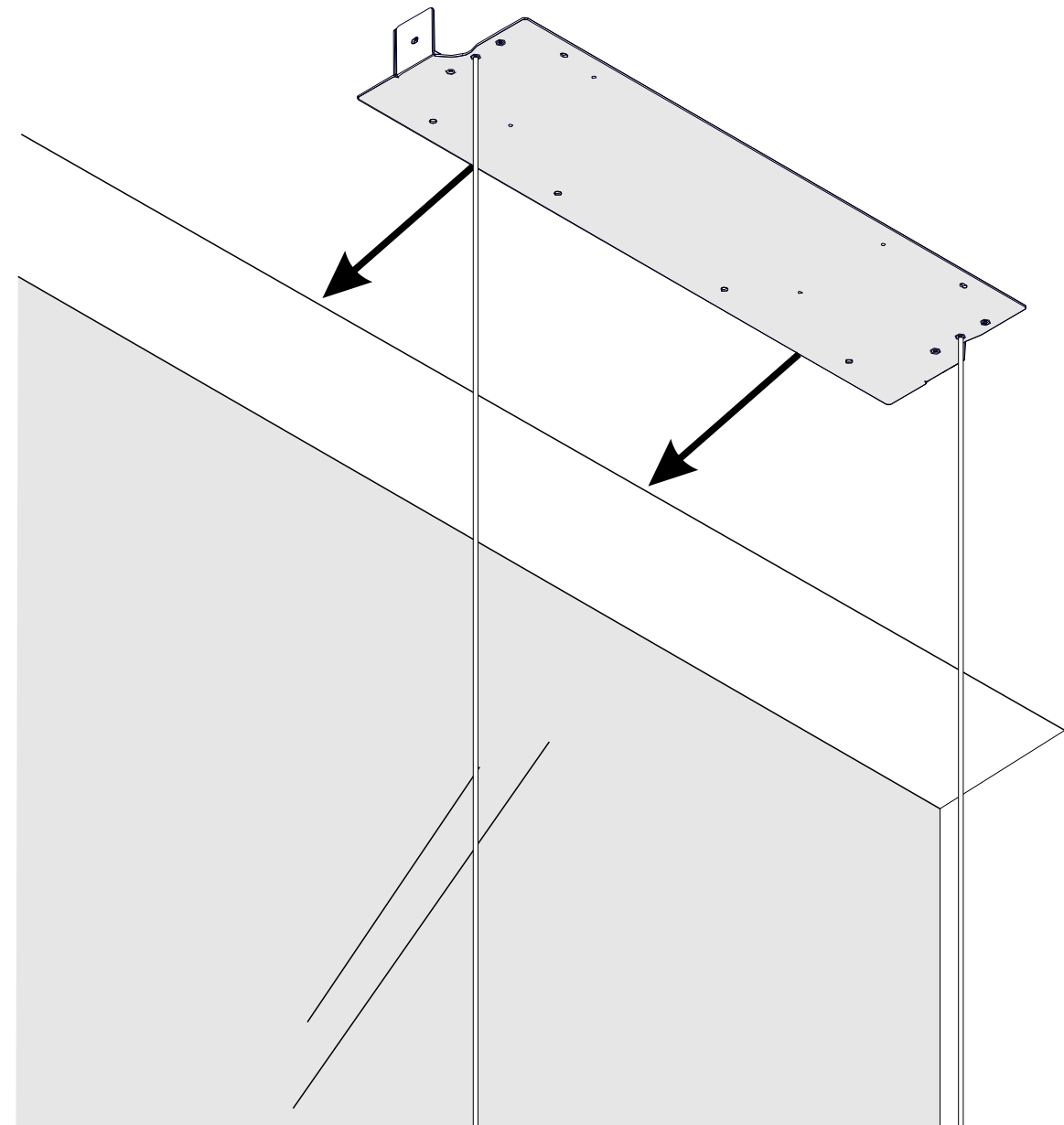
1 Remove the tape from under the bracket and pull the hanging cables on each side.



2 From under the bracket, unscrew the front panel and remove it.



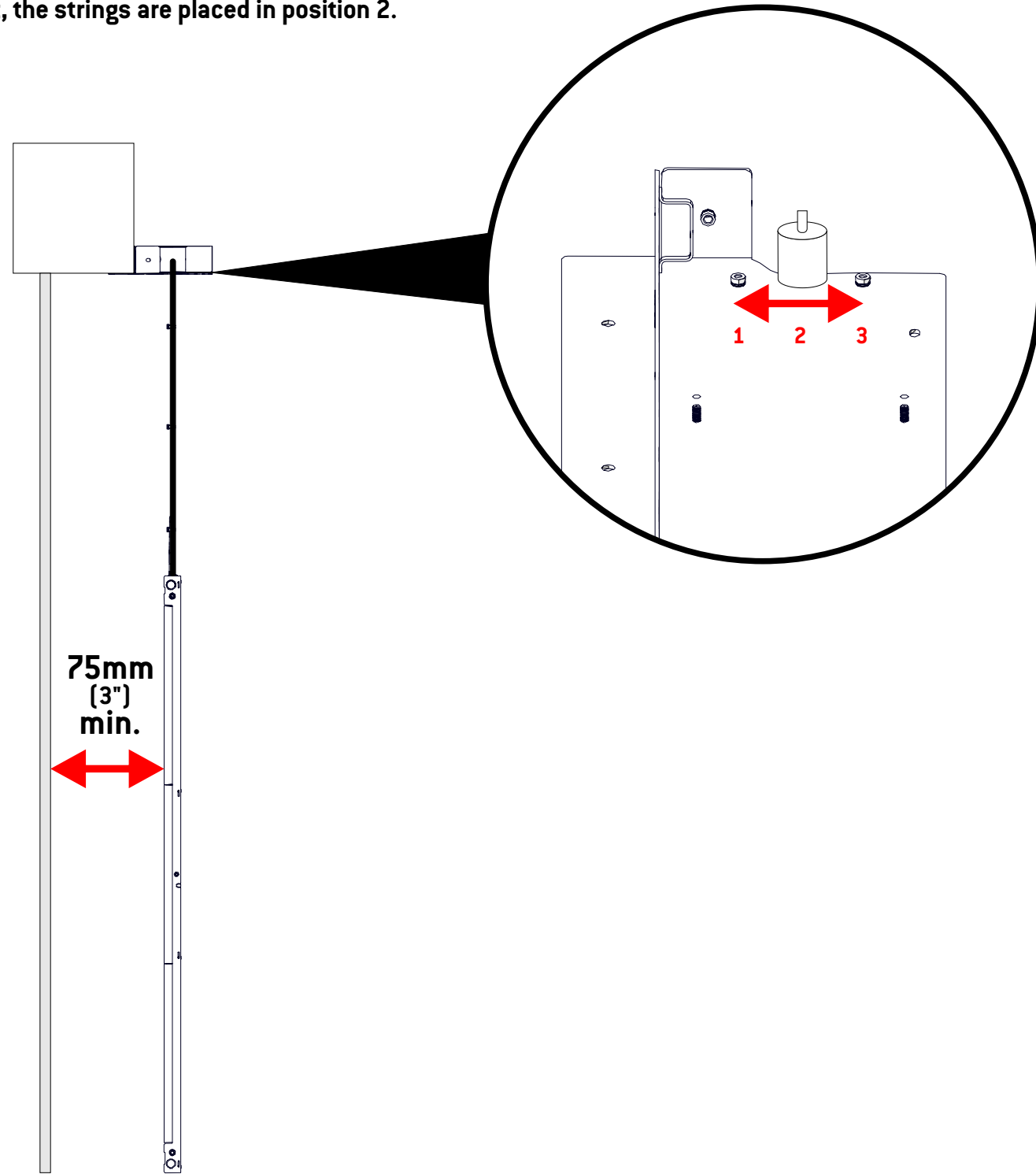
3 Place the bracket on the top window frame.



4

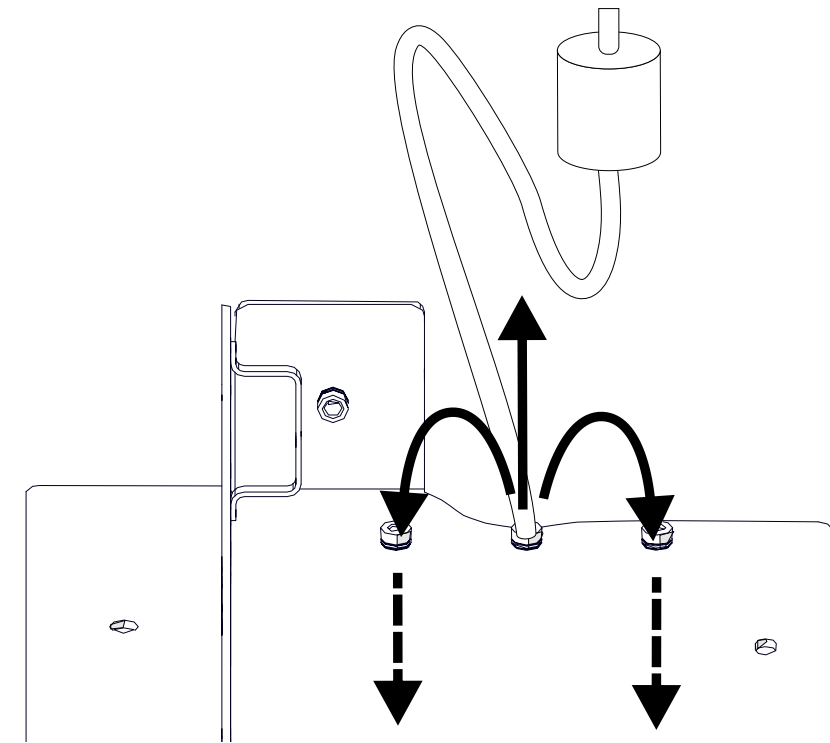
If necessary, you can adjust the distance between the LED Poster and your window by changing the strings position in the bracket.

By default, the strings are placed in position 2.



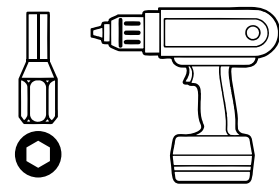
Change strings position (optional)

Switch the string position on each side of the bracket.

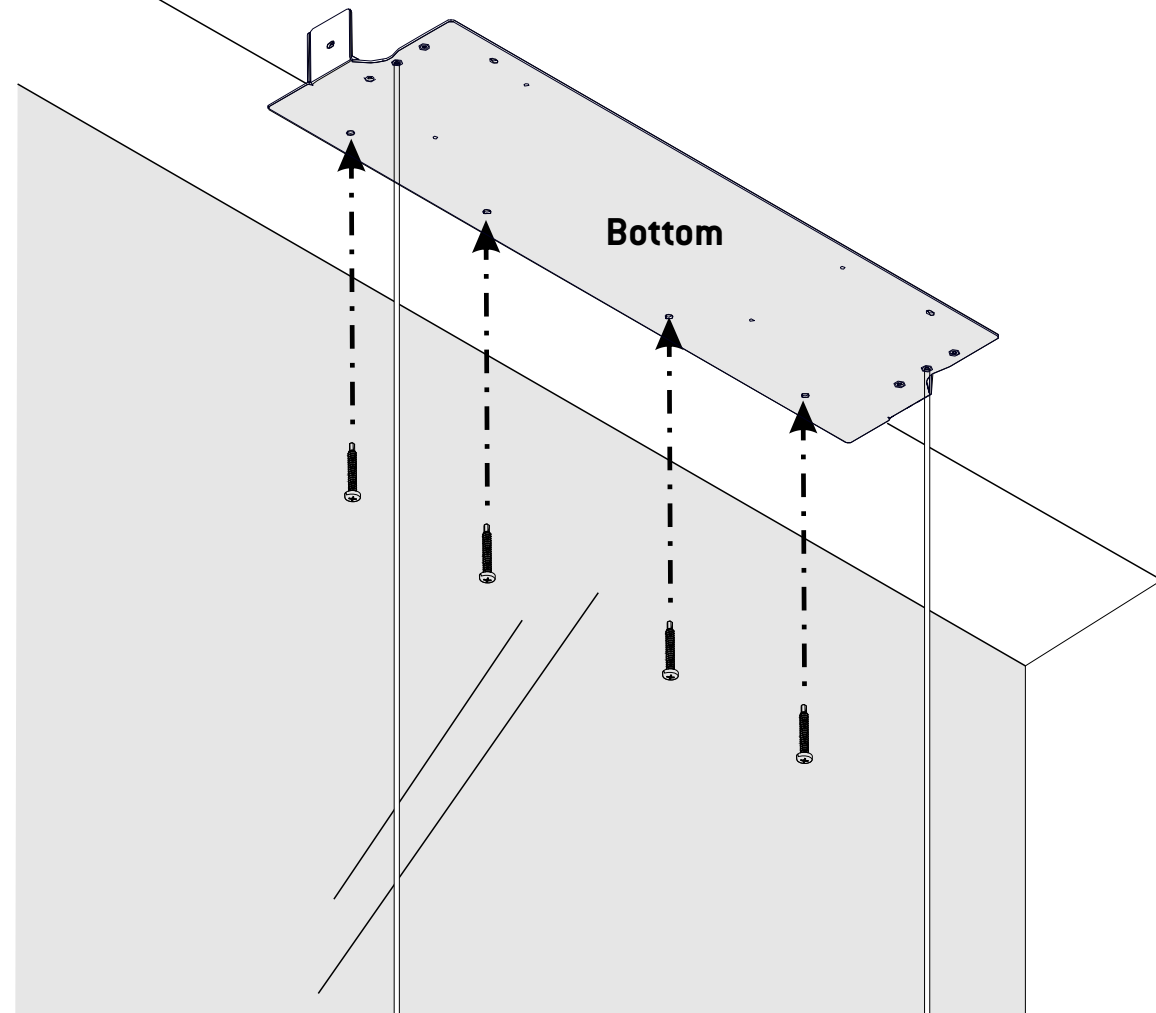


5

Screw the bottom of the bracket into the window frame.



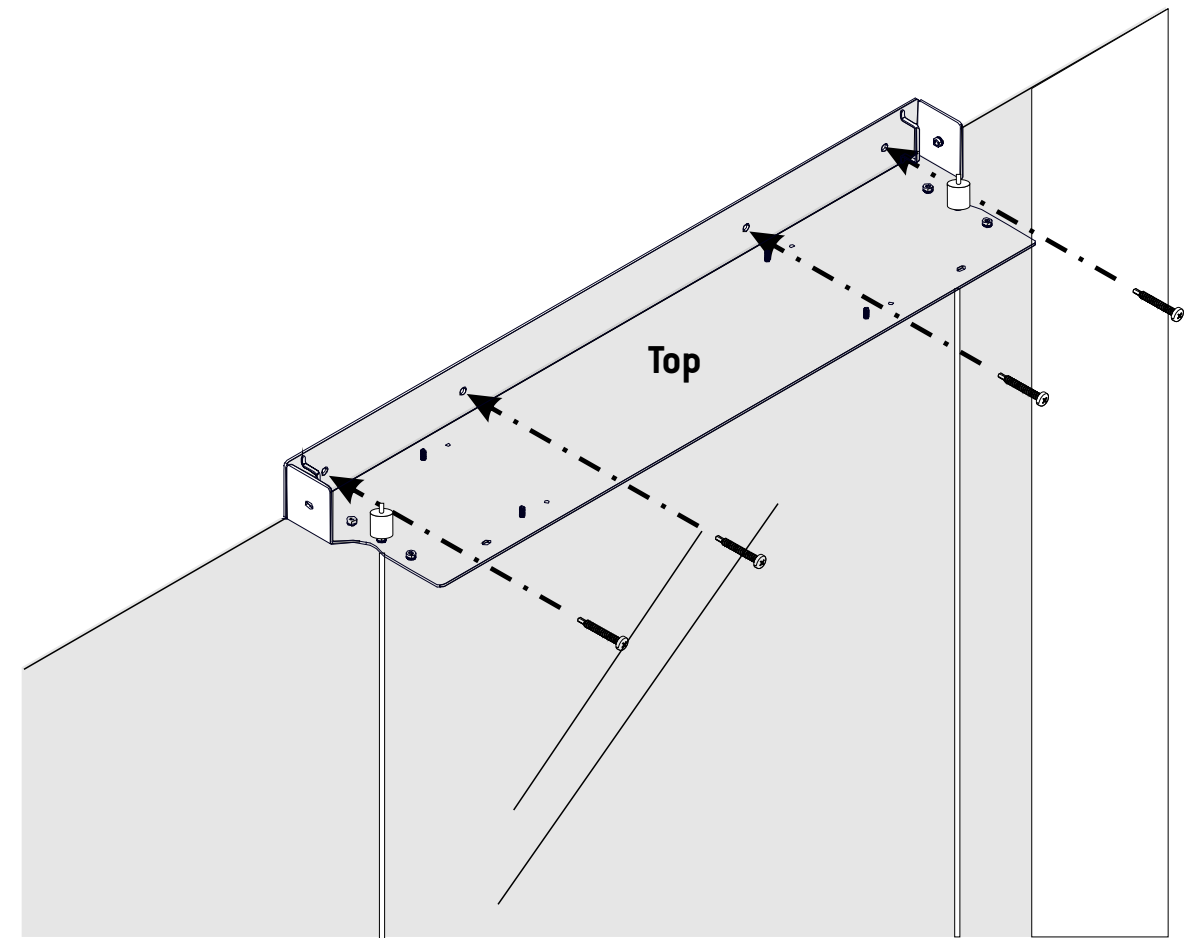
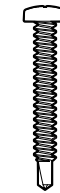
x4



6

Screw inside the bracket to the frame.

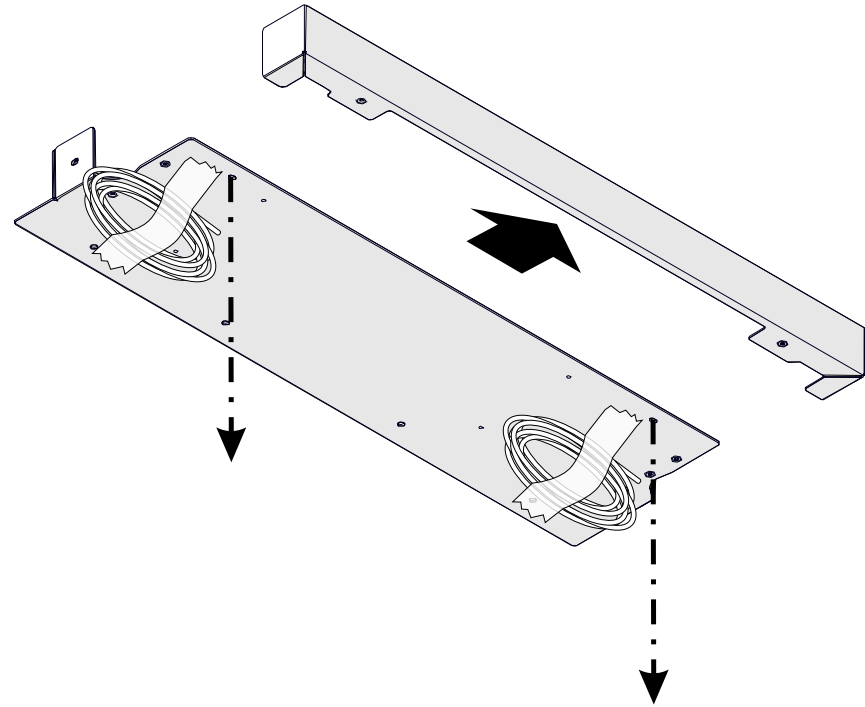
x4



The bracket is installed.

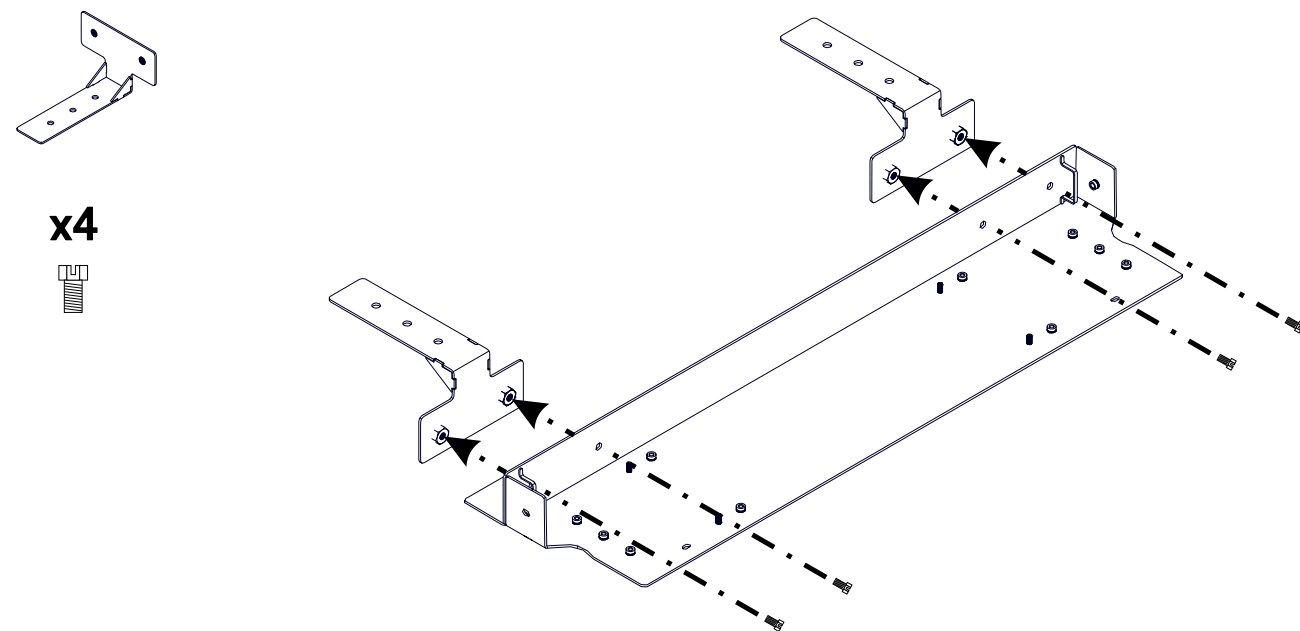
1

From under the bracket, unscrew the front panel and remove it.



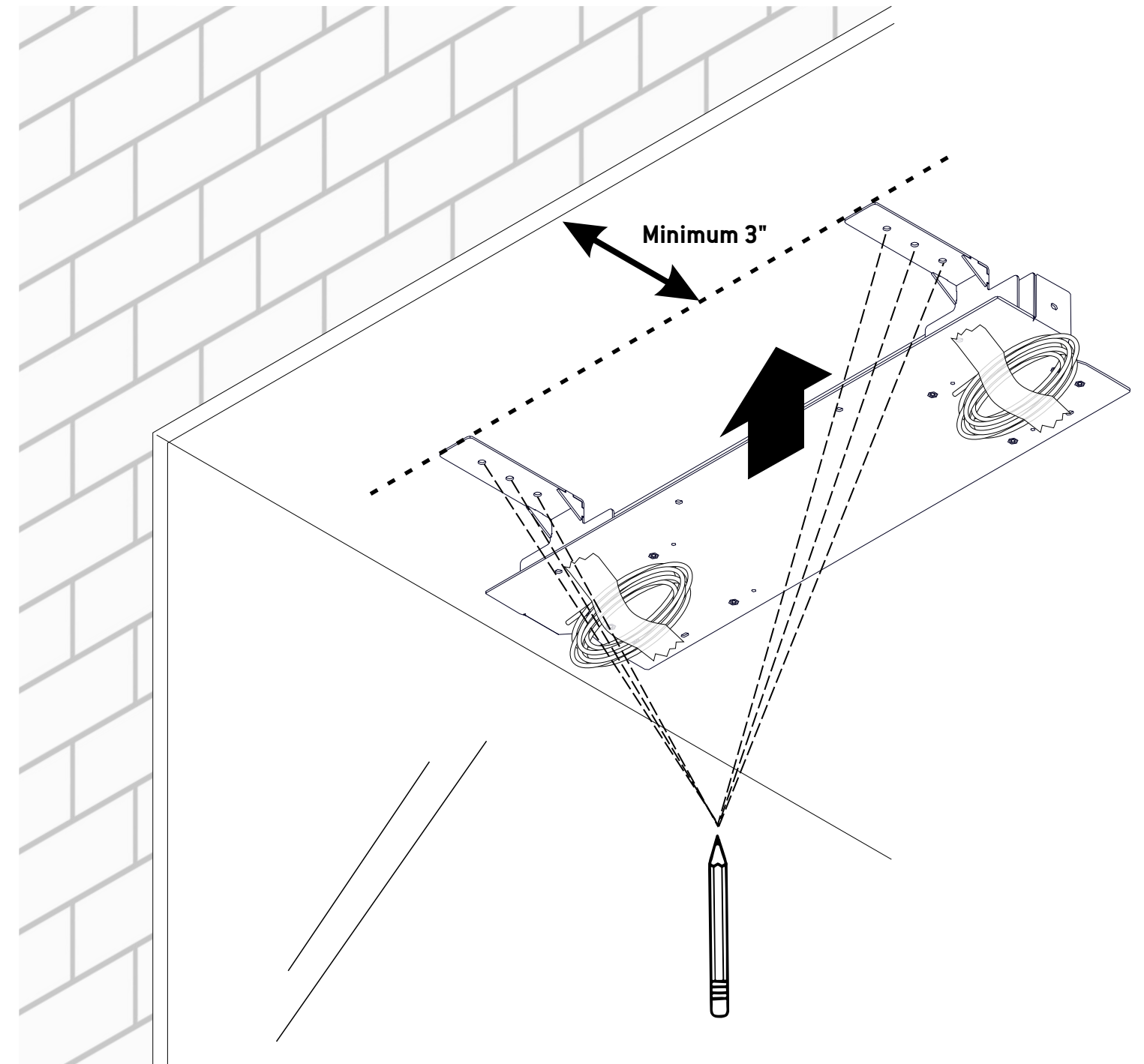
2

Fasten the 2 ceiling brackets to the poster bracket.



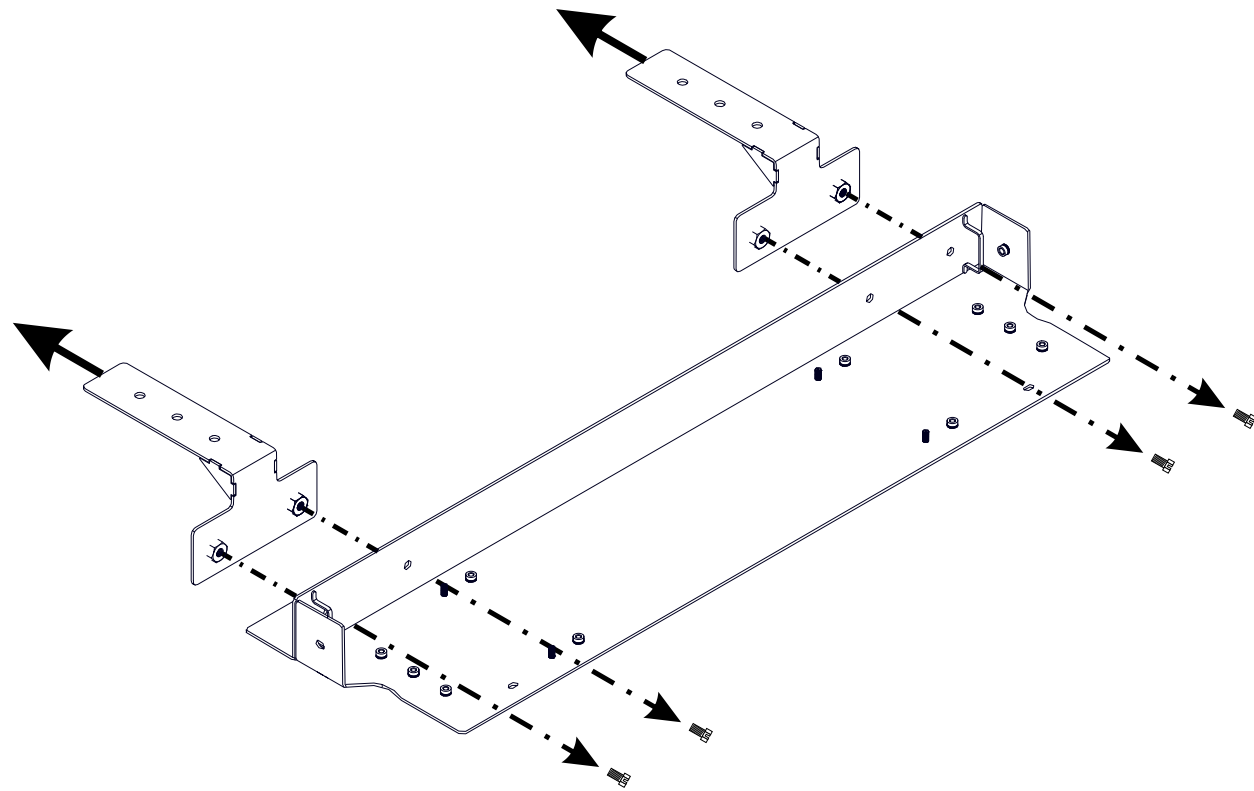
3

Adjust the distance of a minimum of 76mm (3") from the window.
Mark each hole with the pencil.



4

Remove the ceiling brackets from the poster bracket.



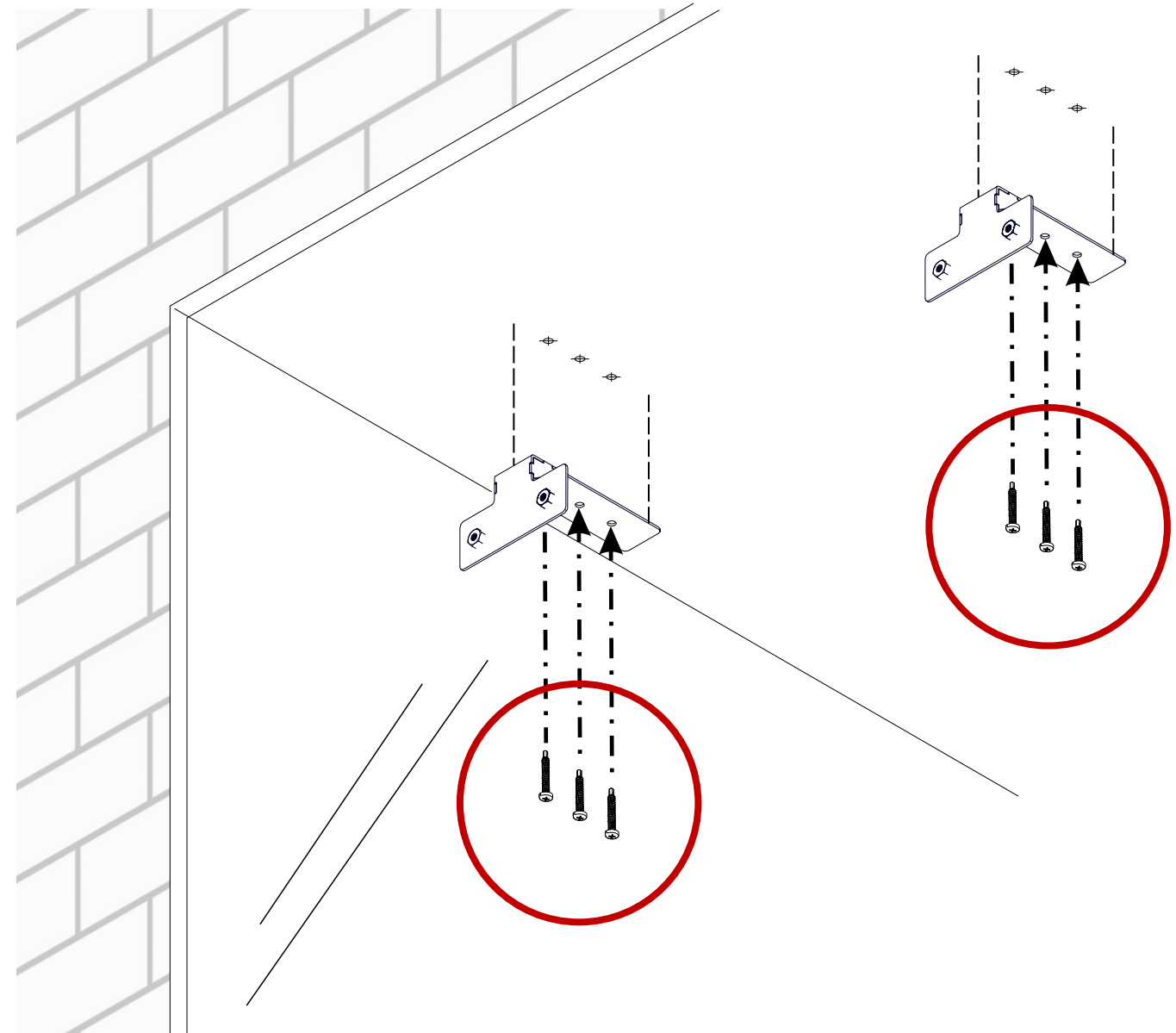
5

Screw the brackets on the ceiling with the return oriented to the window.

x6

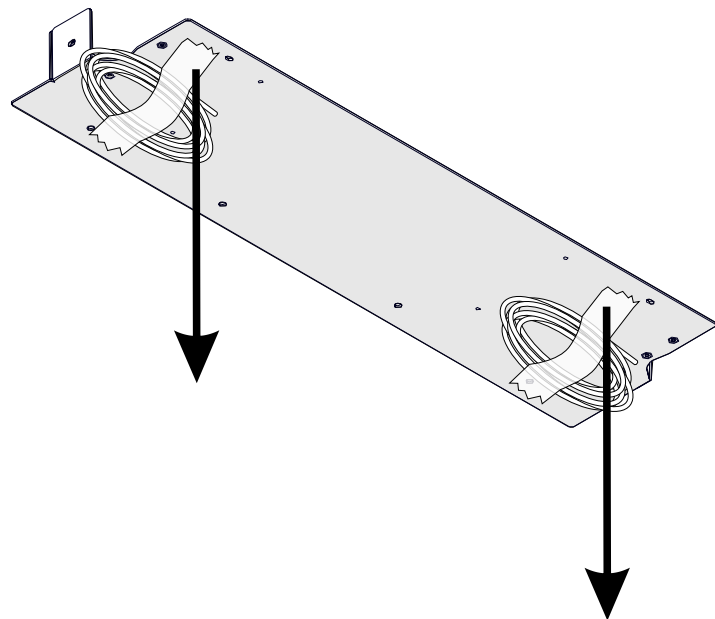


**Screws and anchors must be adapted to the ceiling material.
Contact your local business contractor for more info.**

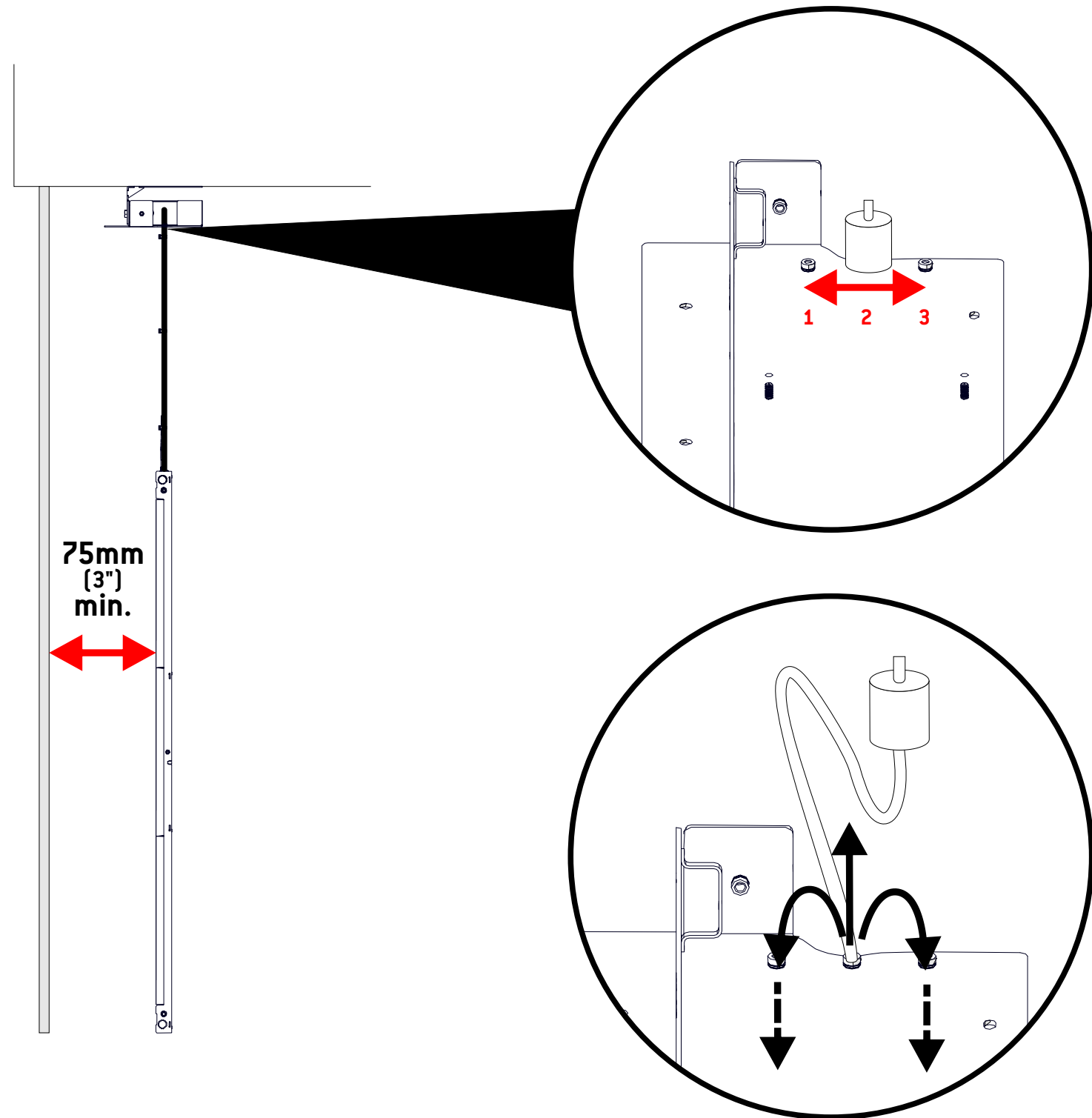


6

Remove the tape from under the bracket and pull the hanging cables on each side.



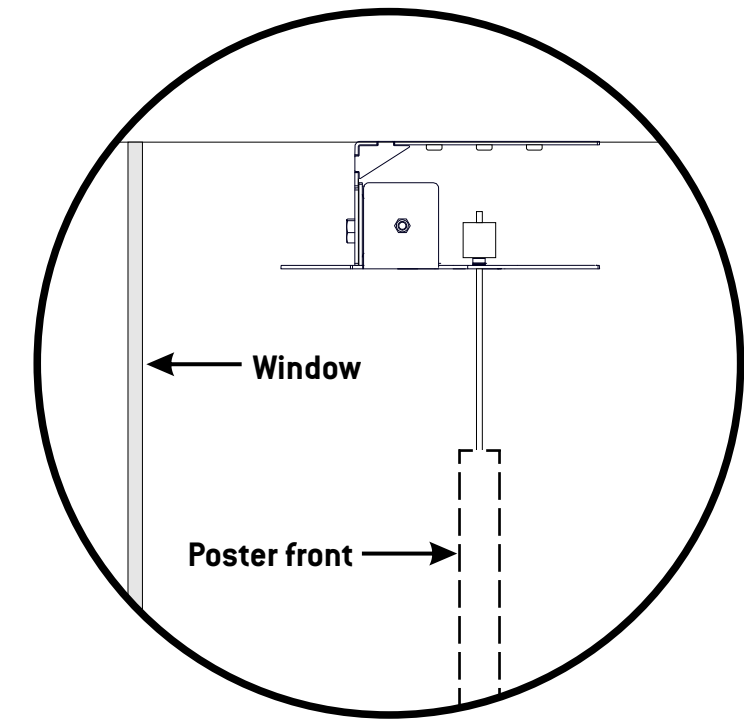
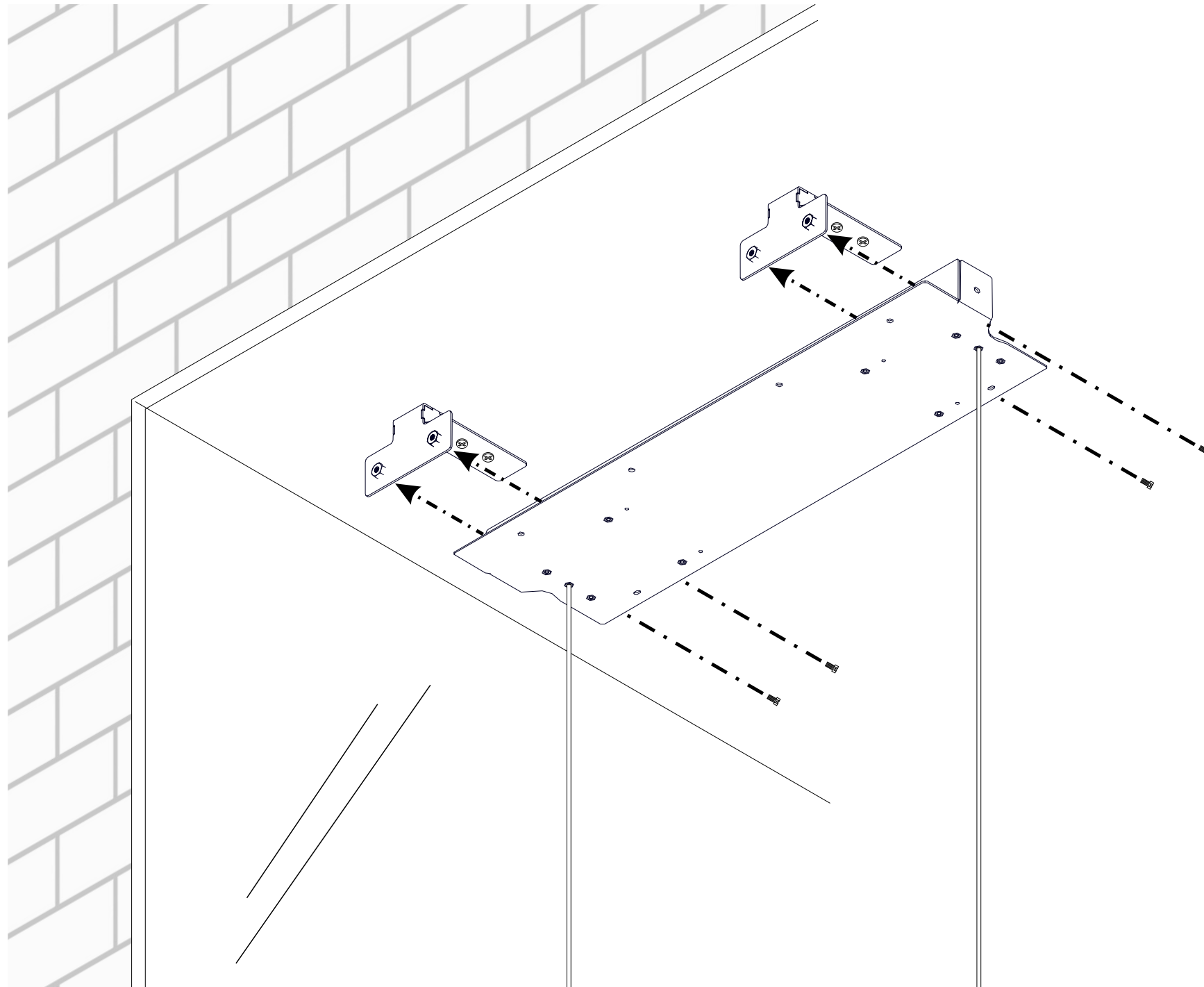
If necessary, you can adjust the distance between the LED Poster and your window by changing the strings position in the bracket.
By default, the strings are placed in position 2.




7

Remove the ceiling brackets from the poster bracket.

x4

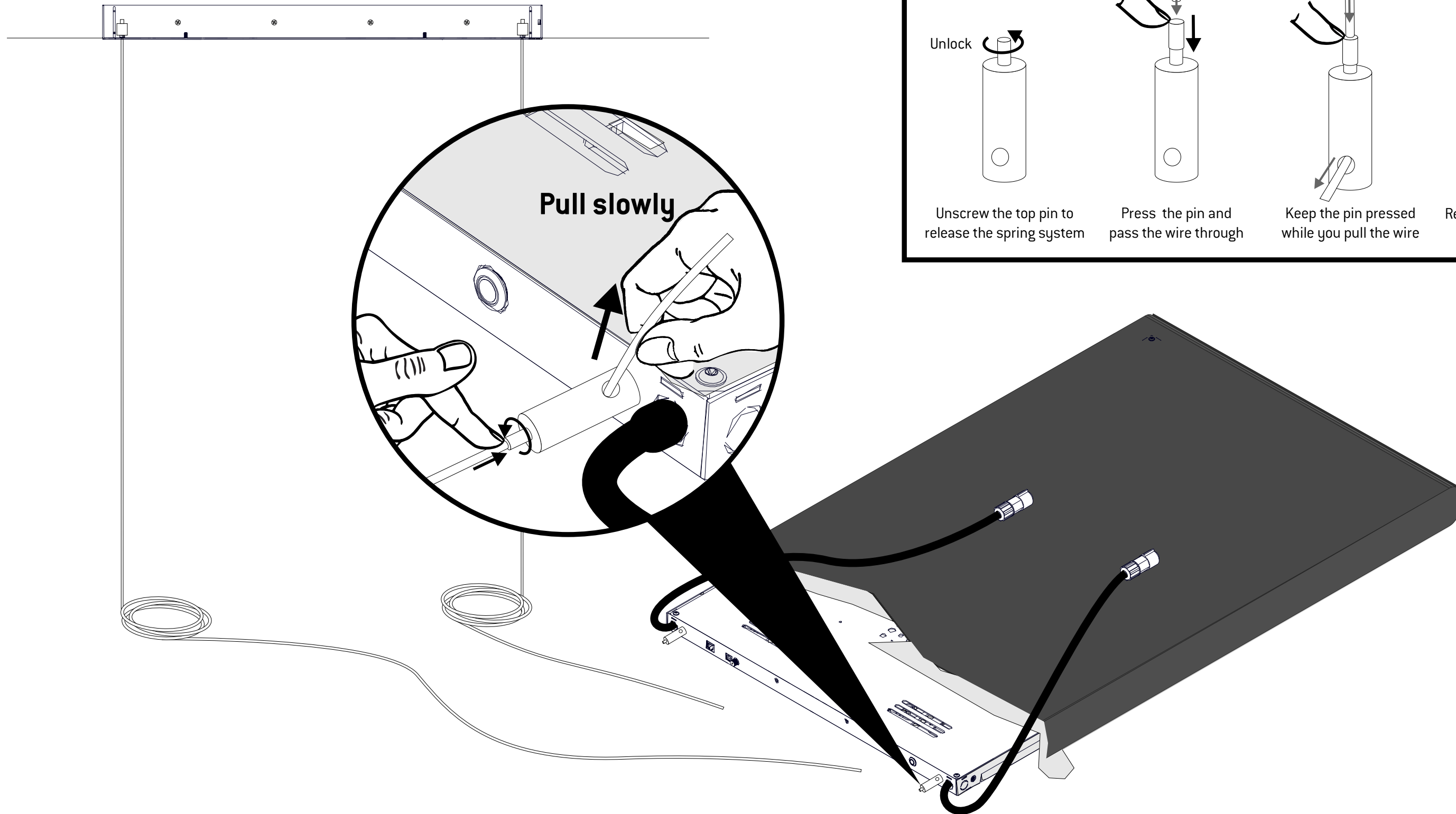


 **The bracket is installed.**



Hang the LED Poster

Pass the string into the hanging bolts.
Press on the little ring on top of the bolt and pull the cable at the same time to reduce the cable length.
The cable will be lock when the ring is released.



How to use the hanging bolt

Unlock

Unlock

Lock

Unlock

Lock

Unscrew the top pin to release the spring system

Press the pin and pass the wire through

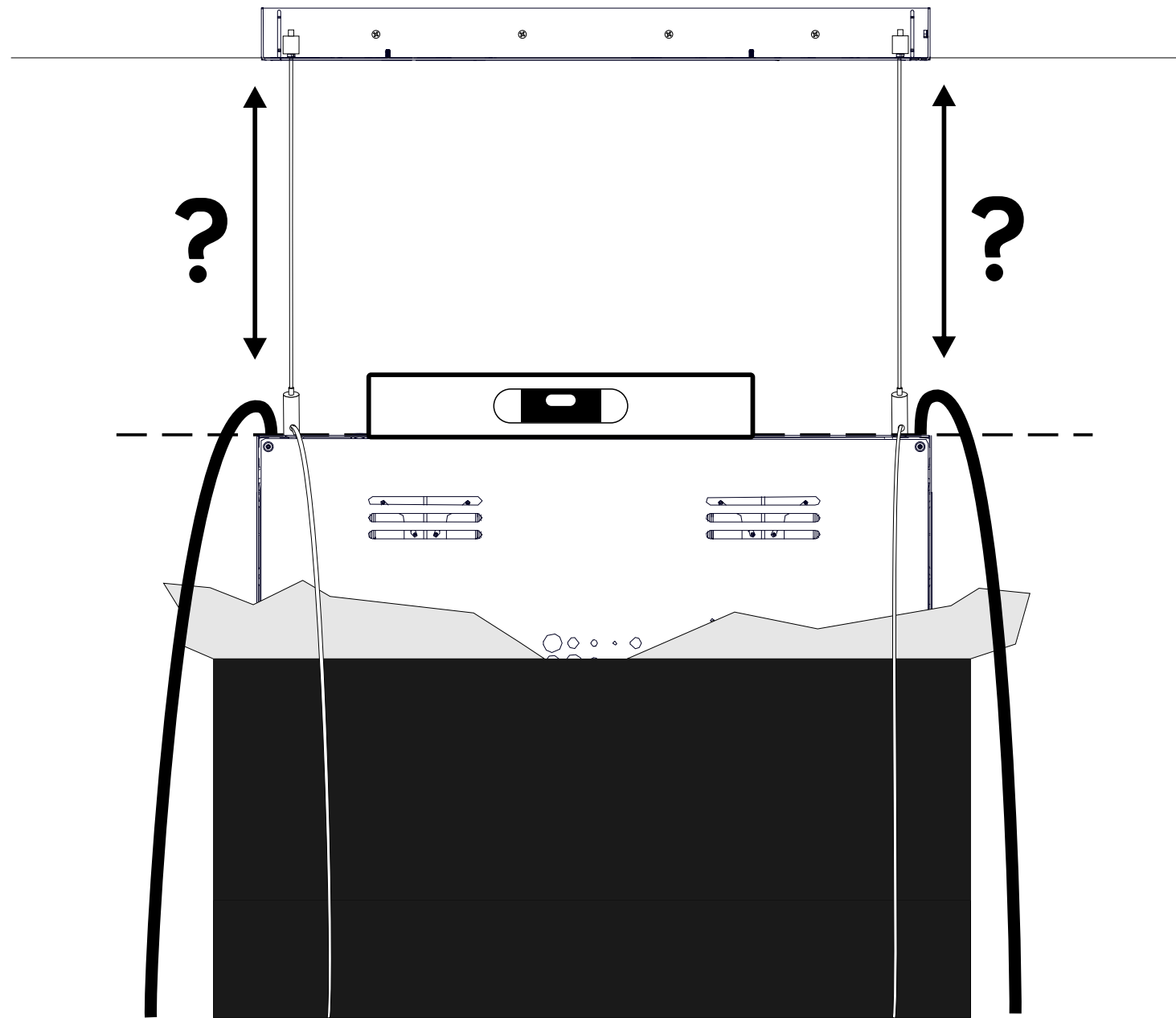
Keep the pin pressed while you pull the wire

Release then screw the pin for a secured locking

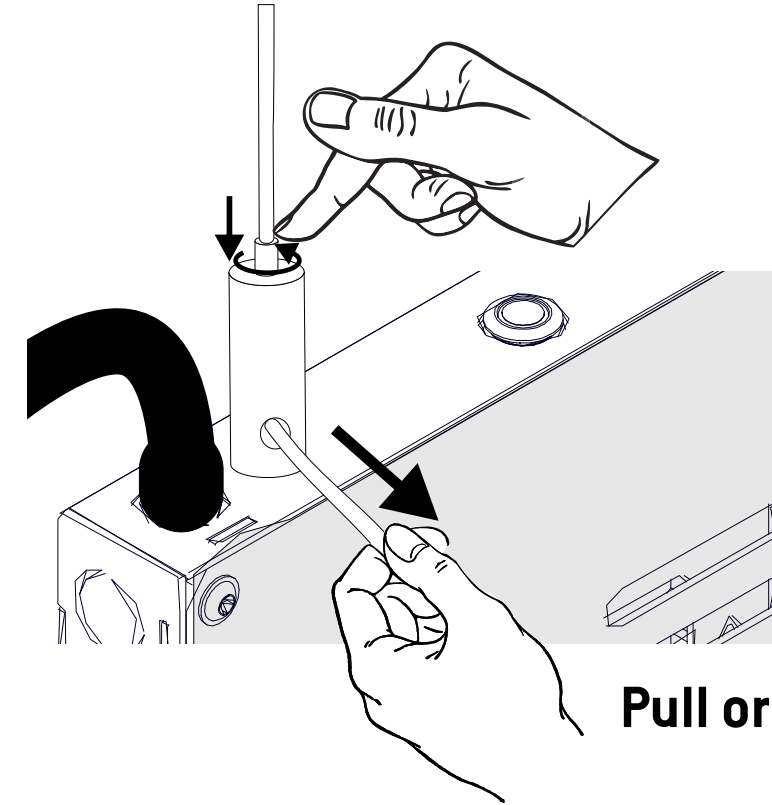
E

Hang the LED Poster

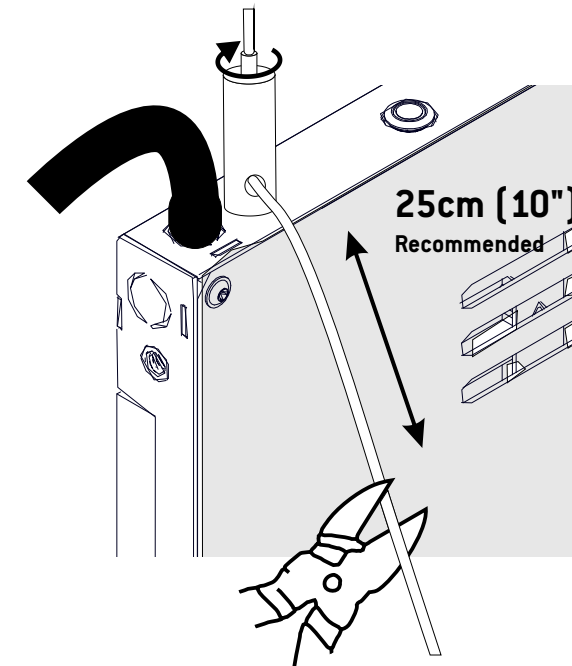
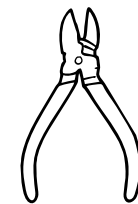
1 Adjust the height of the LED Poster according to the customer view and control the balance.



2 Press on the little ring on top of the bolt and pull the cable at the same time to reduce the cable length. The cable will be lock when the ring is released.



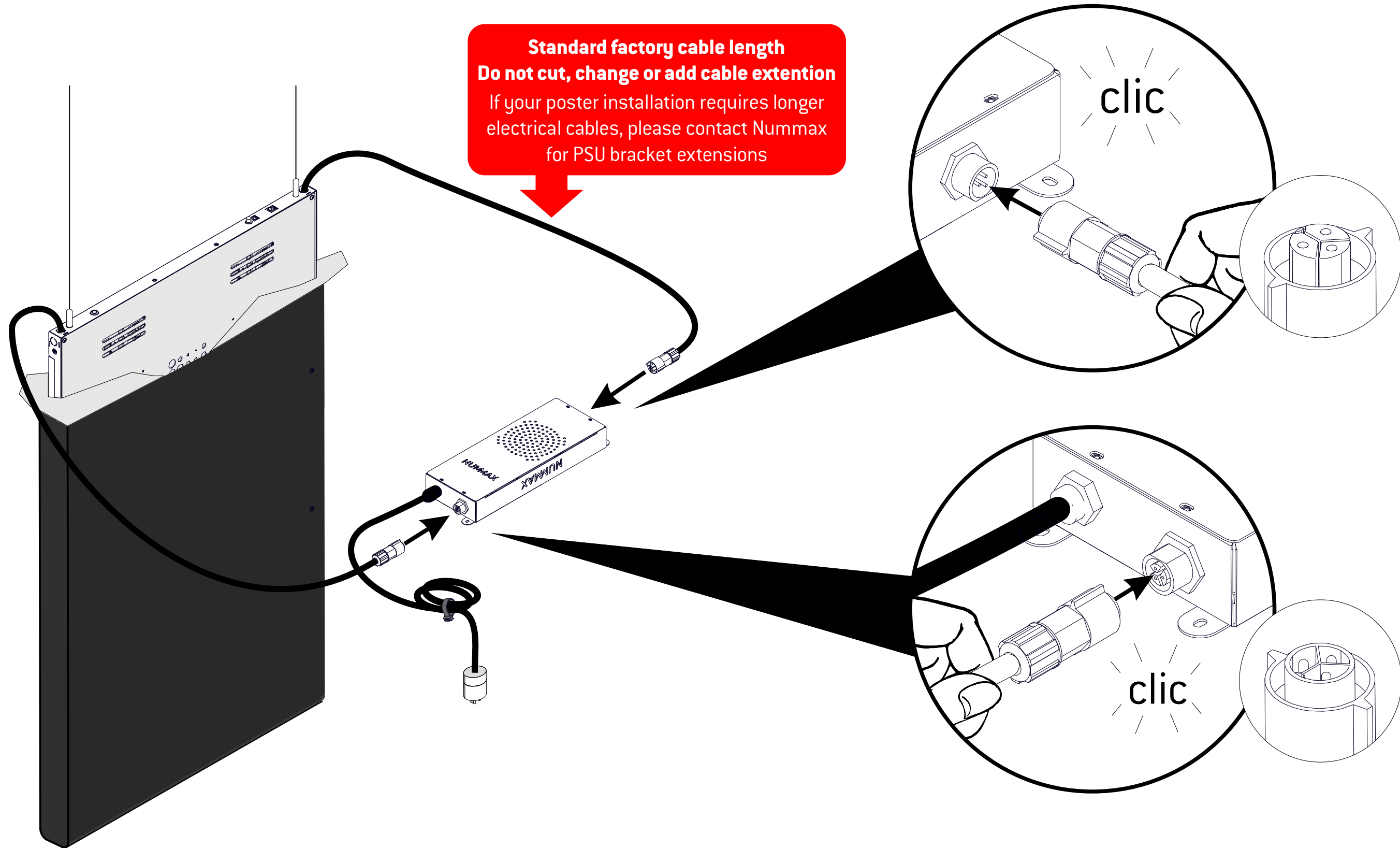
3 Cut the extra cable.
Optional but recommended: Keep 25cm (10") for futur LED Poster height adjustments.



1

Connect the poster's electrical wires to the power supply.

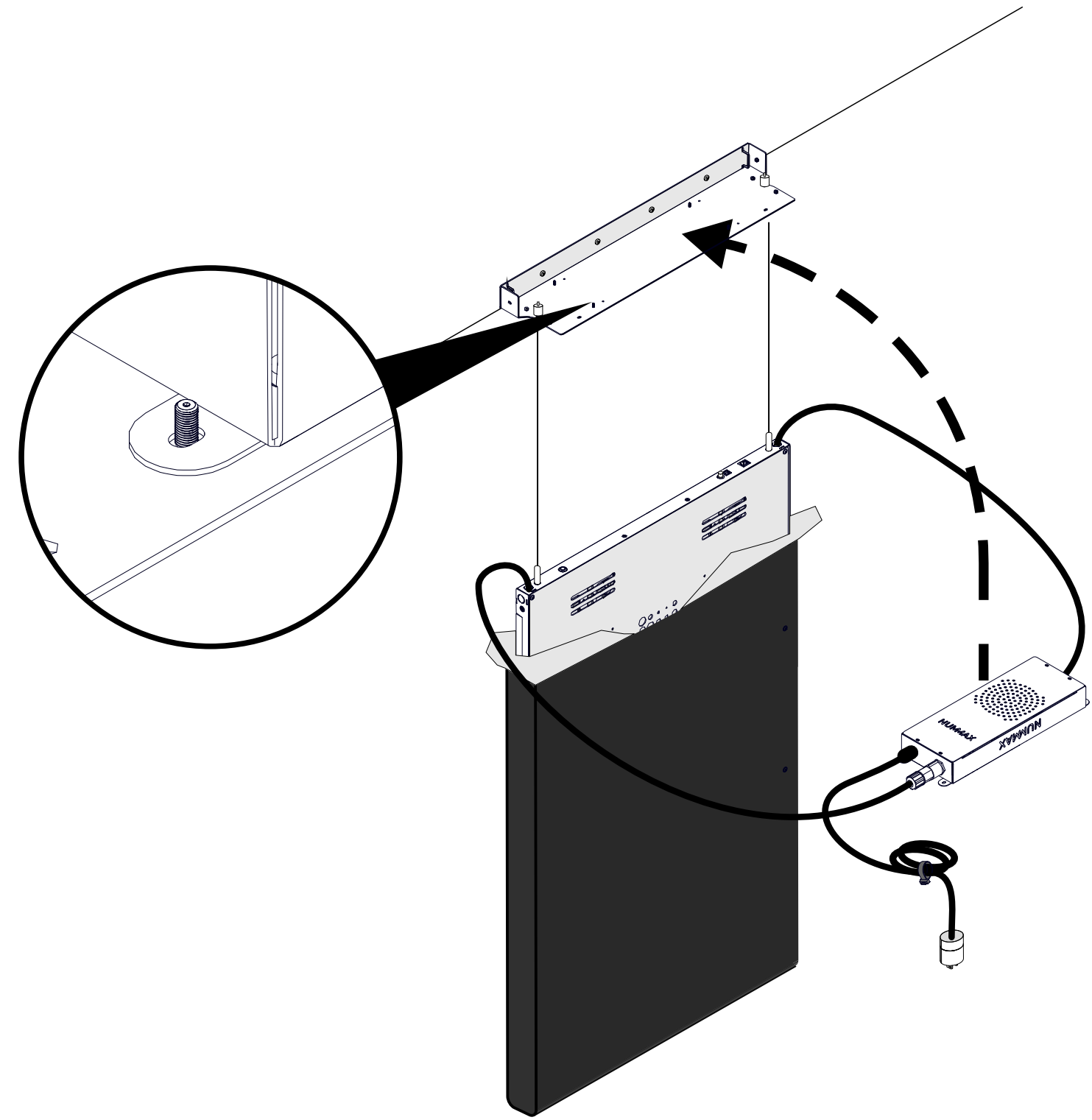
Standard factory cable length
Do not cut, change or add cable extension
If your poster installation requires longer electrical cables, please contact Nummax for PSU bracket extensions



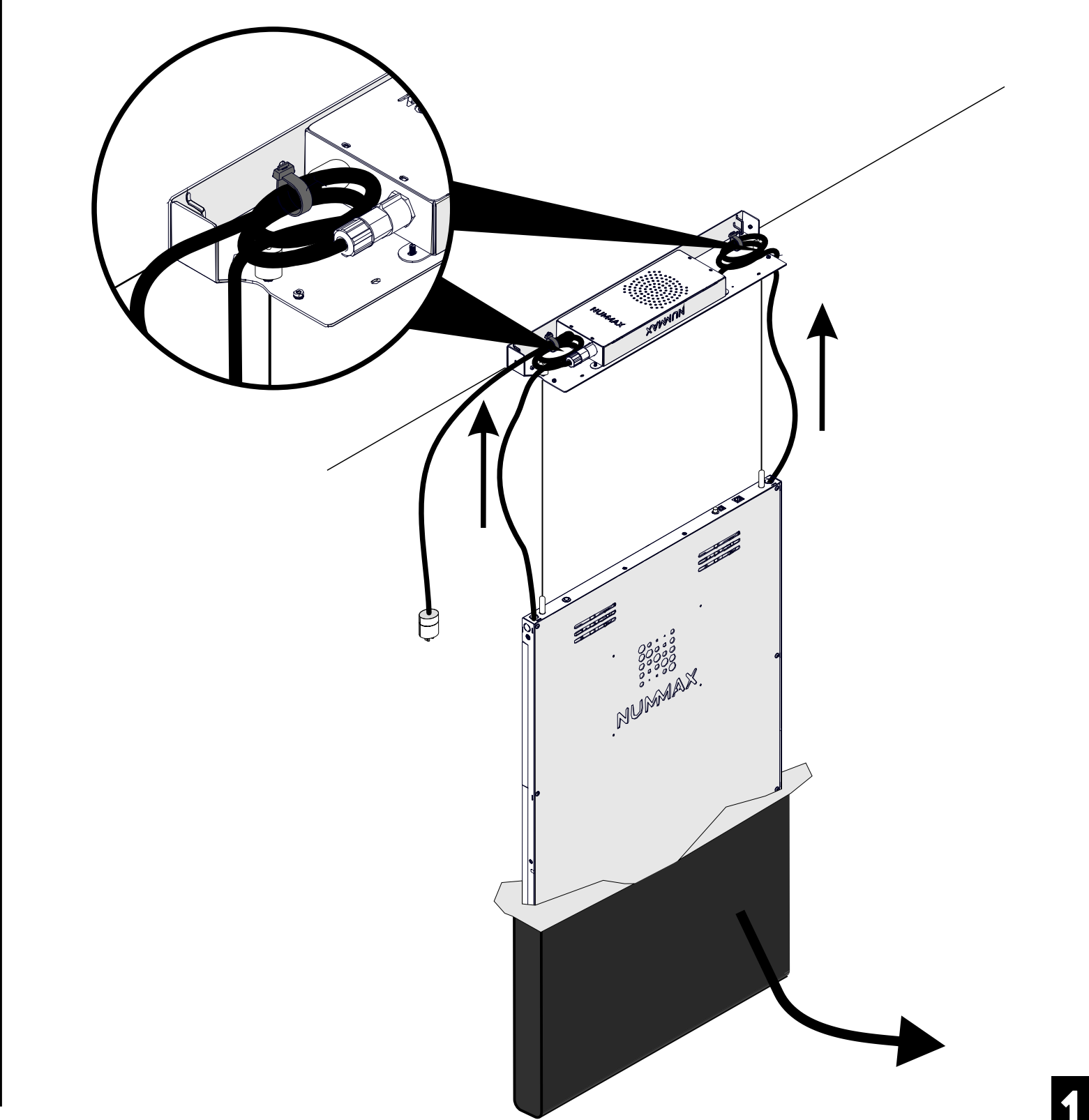
G

Install the power supply

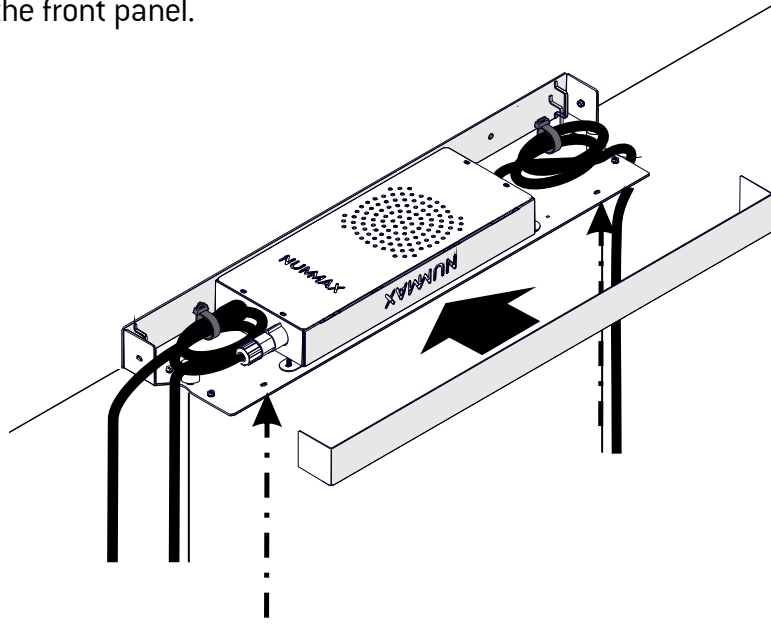
1 Release the power supply block from the back of the display. Place the power supply block in the bracket.



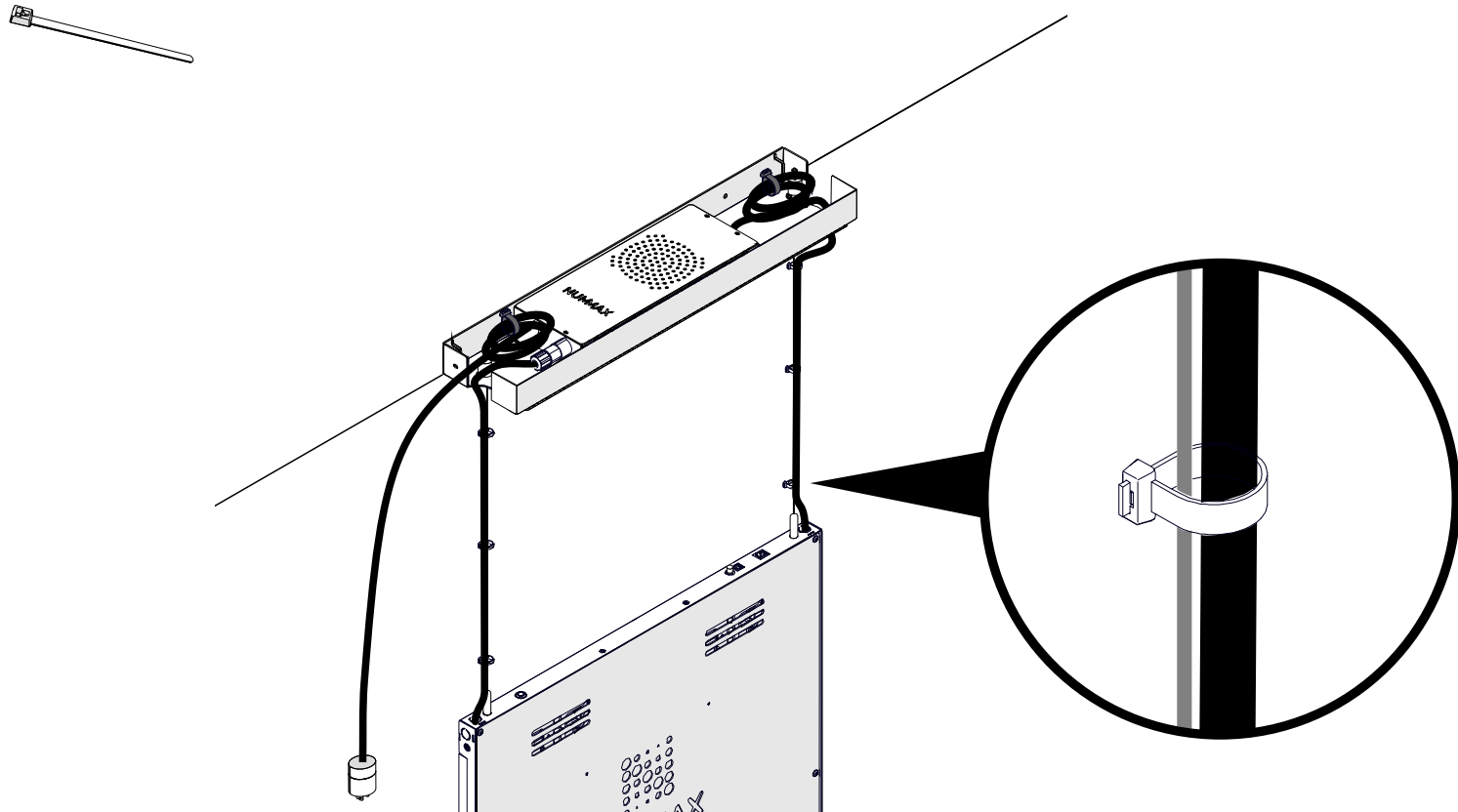
2 Stretch the electrical cables properly and tie wrap the excess of cable inside the bracket. Unwrap and remove the display protection.



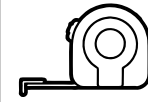
1 Screw back the front panel.



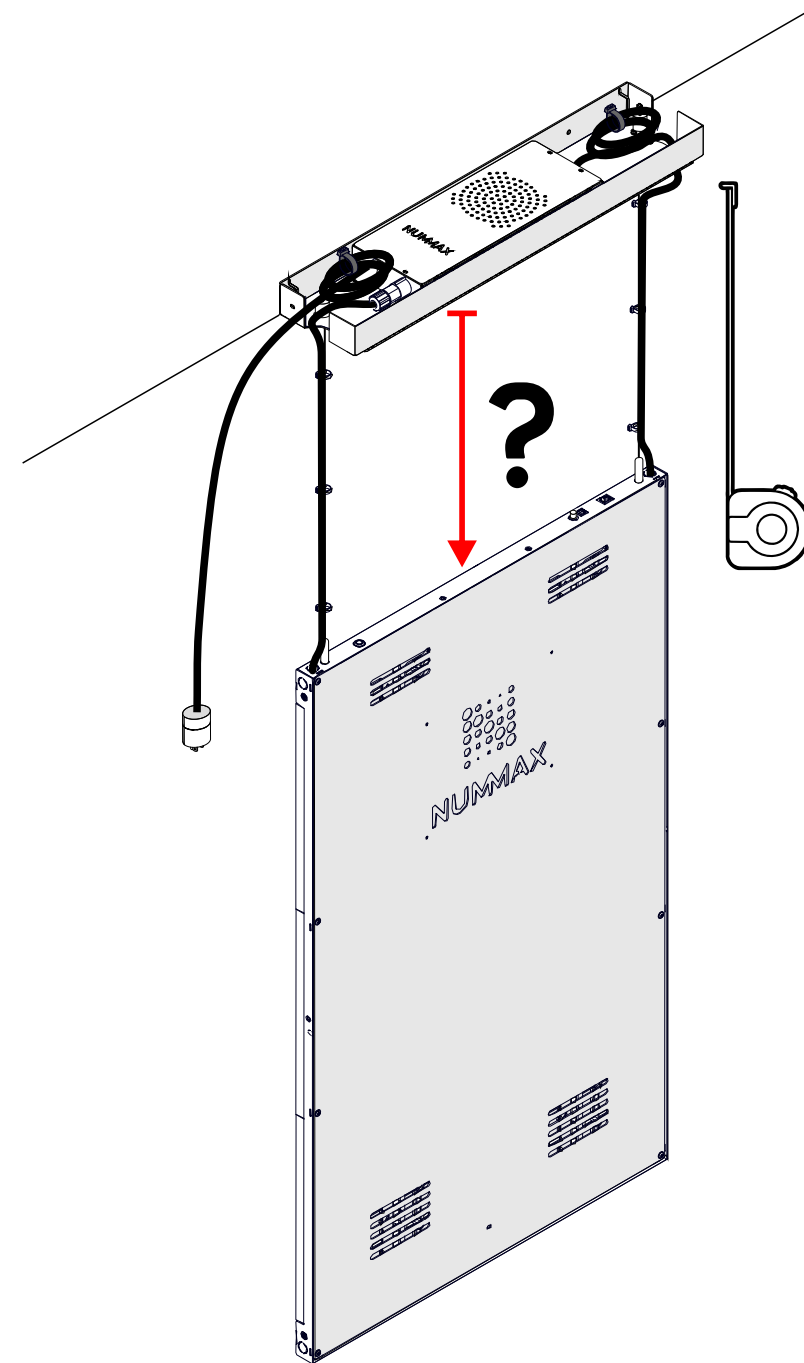
2 Tie-wrap the cables with the hanging cables.



3 Measure the final length of space between the bracket and the top of the LED Poster.

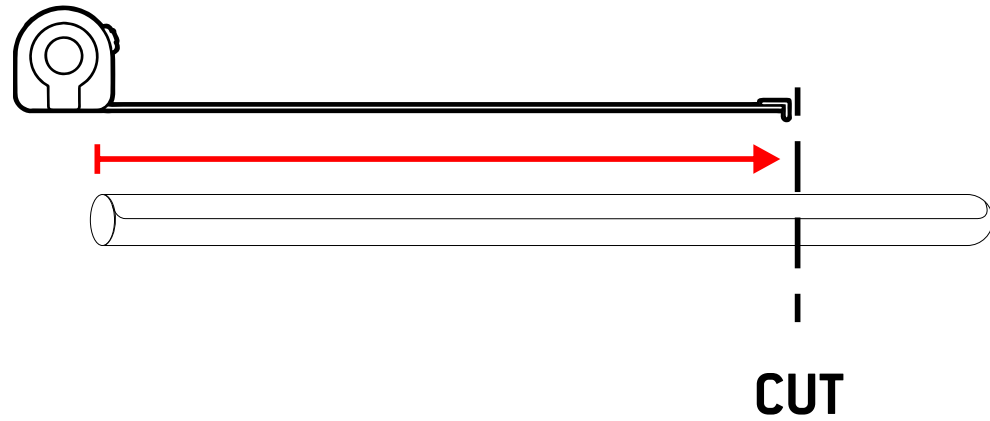
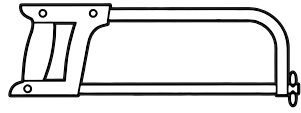


x2



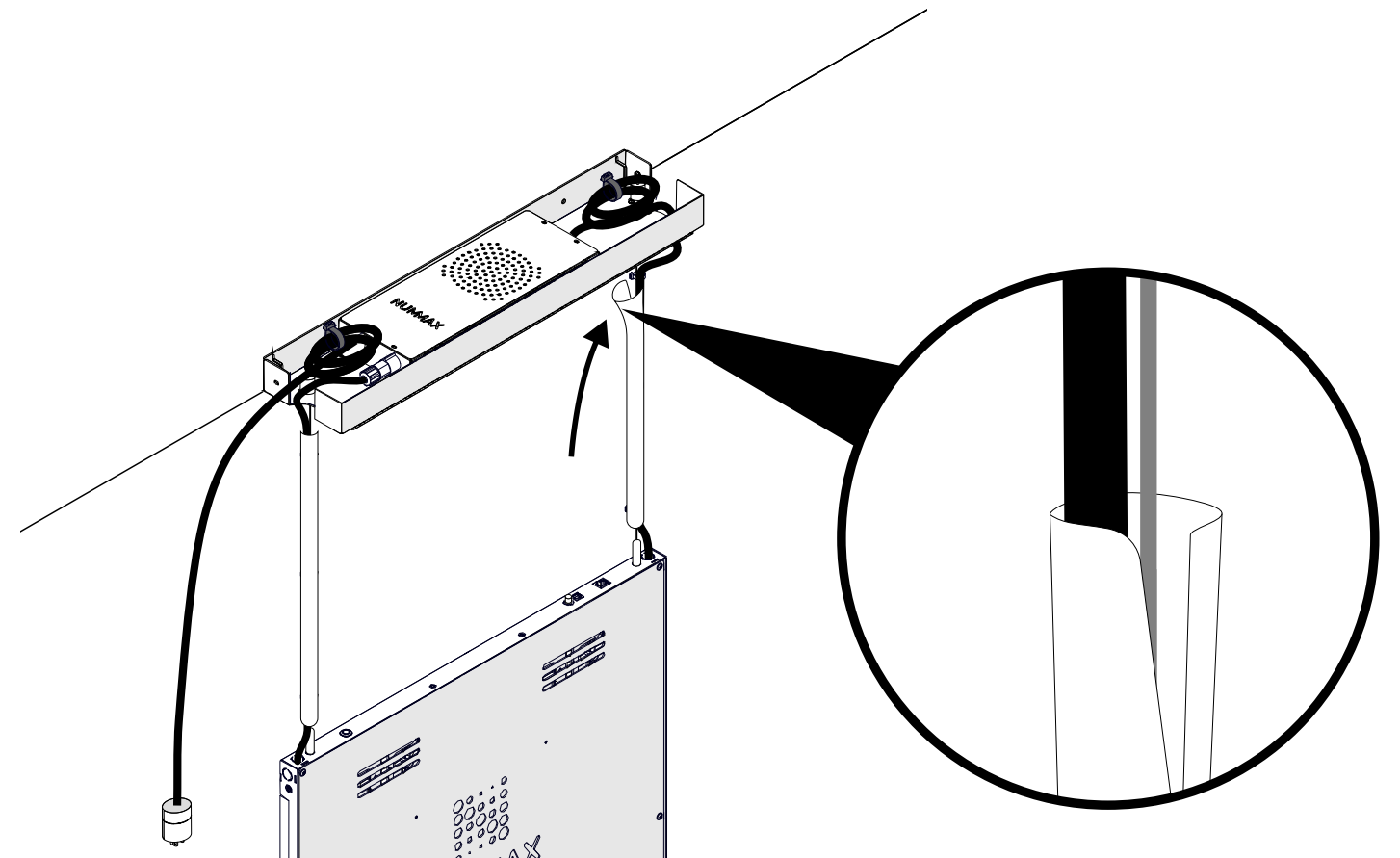
4

Cut the plastic channel according to the length you just measured.



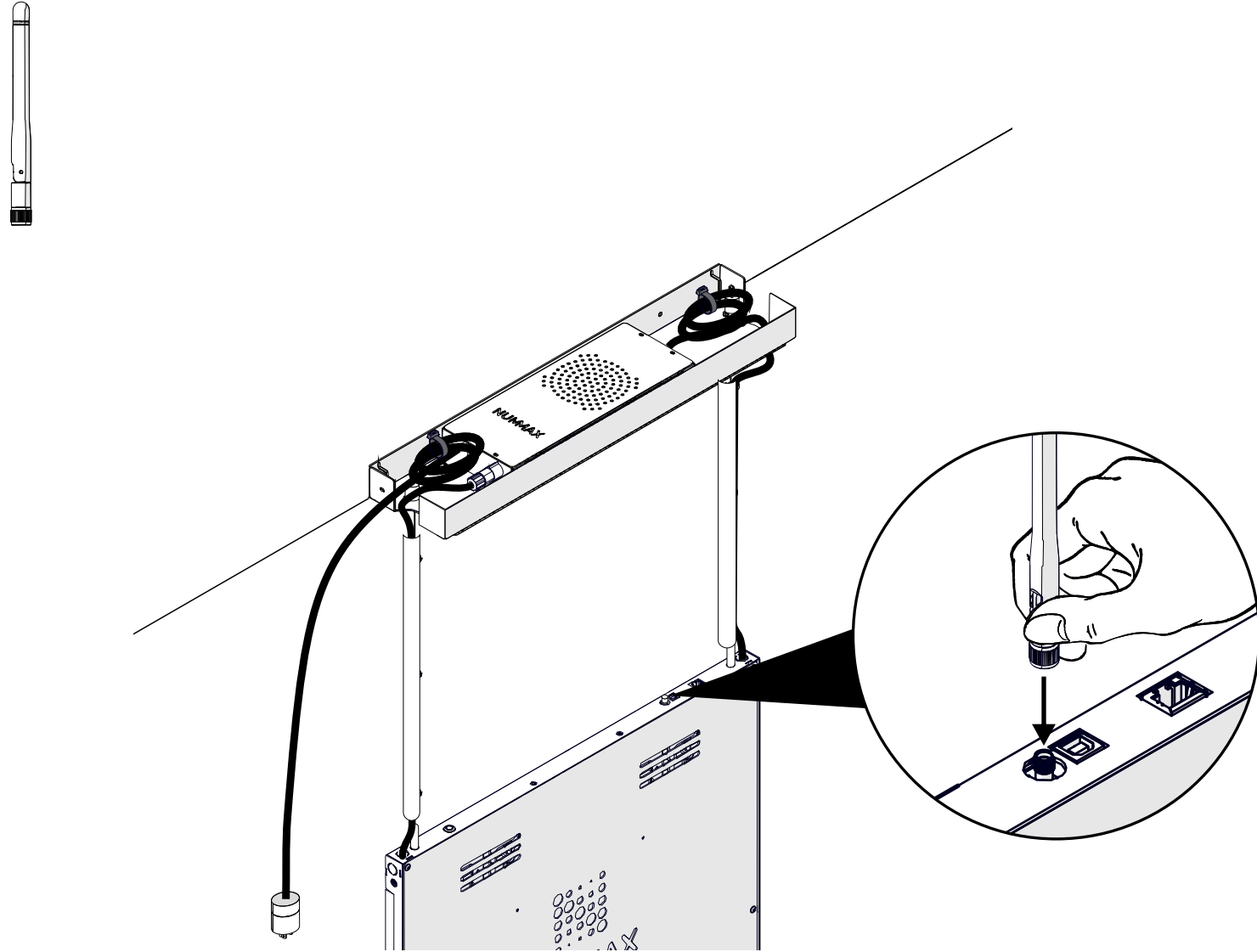
5

Slip the plastic channel around the electric cables and hanging strings.



6

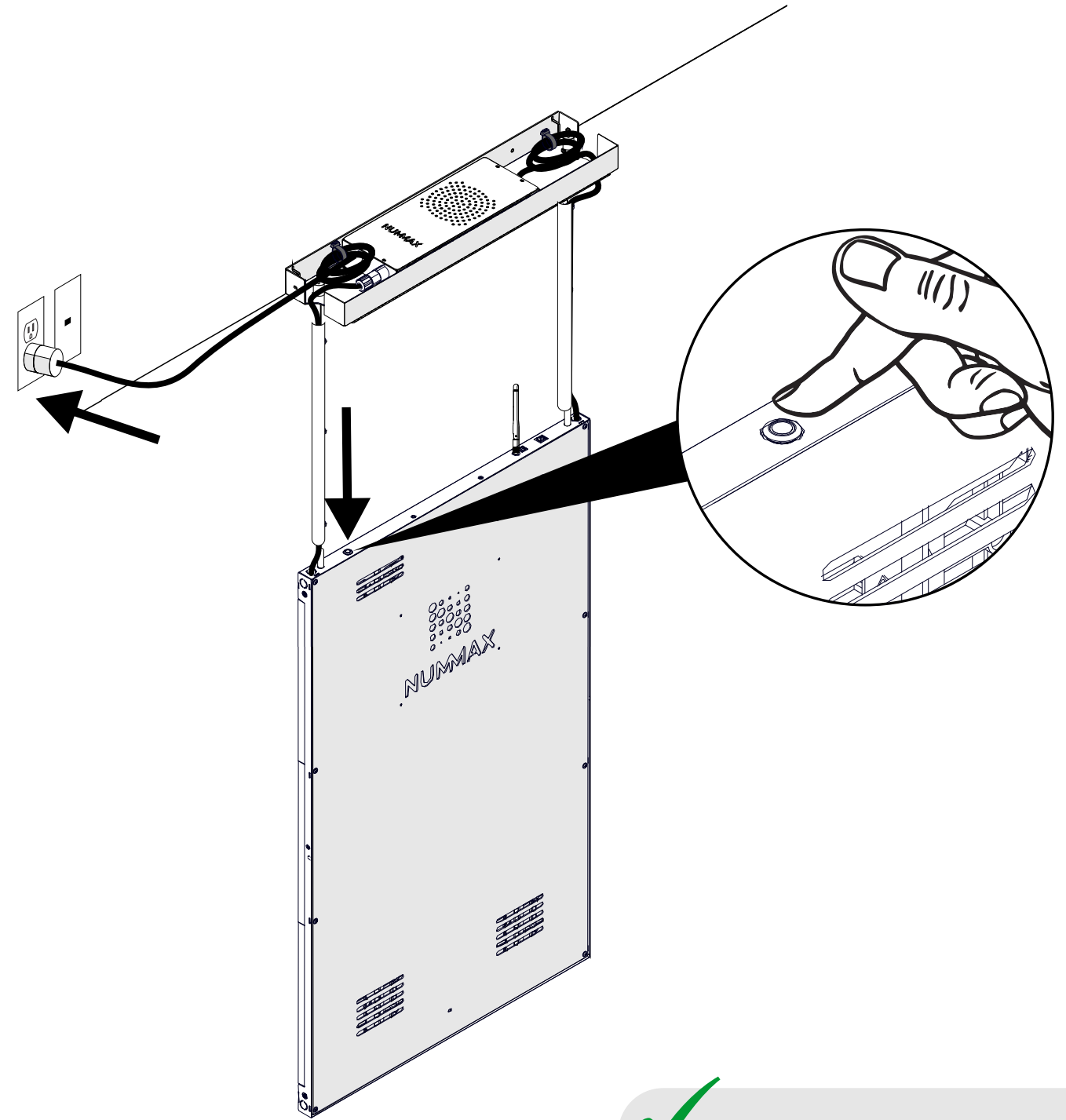
Prepare the display for its network connection.




Check the Connection Guide for the Wifi settings process

7

Plug the LED Poster and switch it on.



 **LED Pro Poster is installed!**



Learn how to use Nummax Manager AIO (Cloud)

Watch the complete training video

<https://youtu.be/dASaQaf7n5M>

Book your online training now!

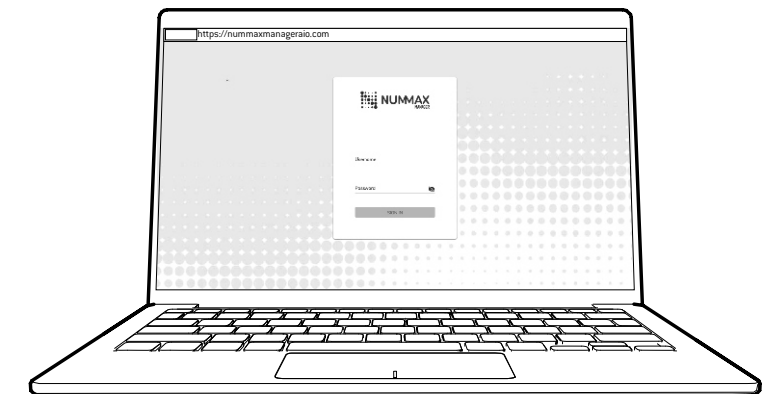
<https://calendly.com/nummaxmanager/nummax-manager-online-training>

Download the complete Nummax Manager User's Guide

<https://nummax.com/en/download/>

Check our online video tutorials

<https://nummax.com/en/academy-2/>



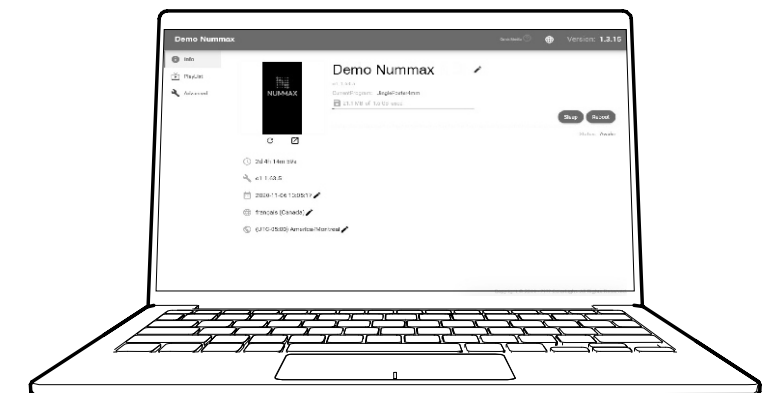
Learn how to use Nummax Manager LOCAL (Free)

Download the complete Nummax Manager User's Guide

<https://nummax.com/en/download/>

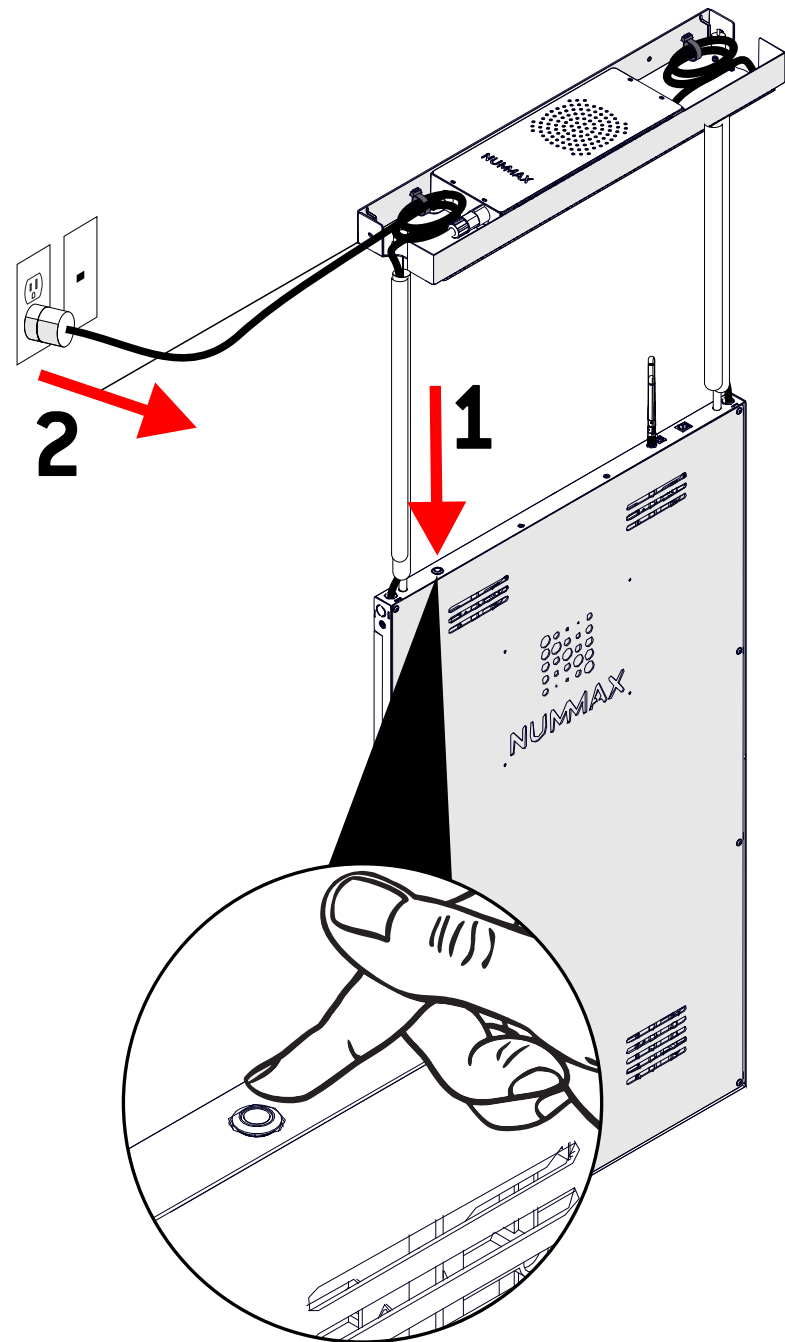
Check our online video tutorials

<https://nummax.com/en/academy-2/>

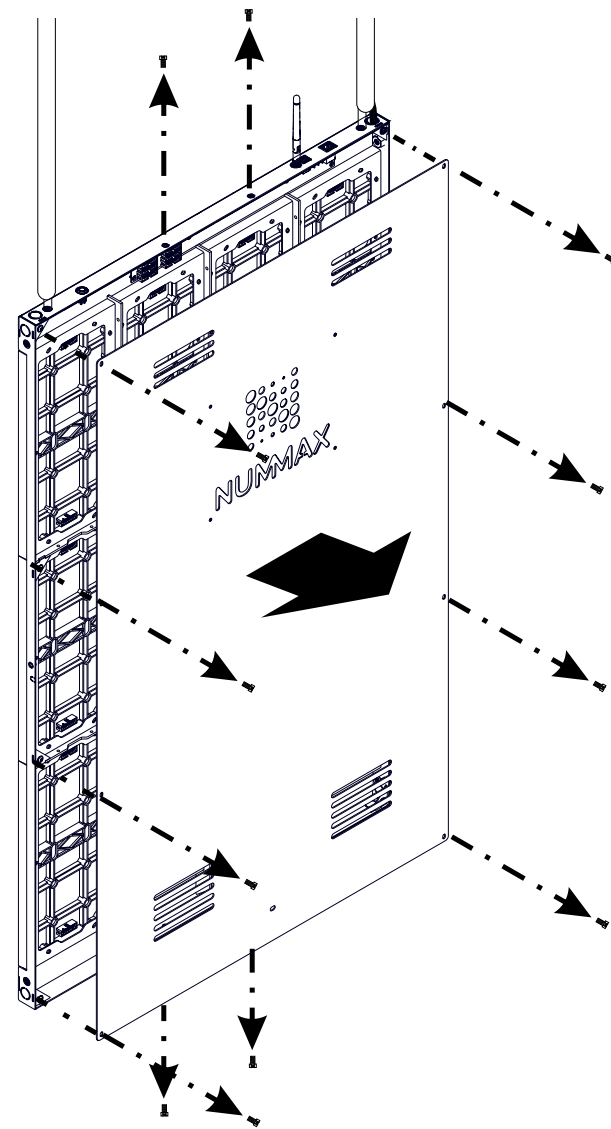


LED Poster maintenance: Module replacement

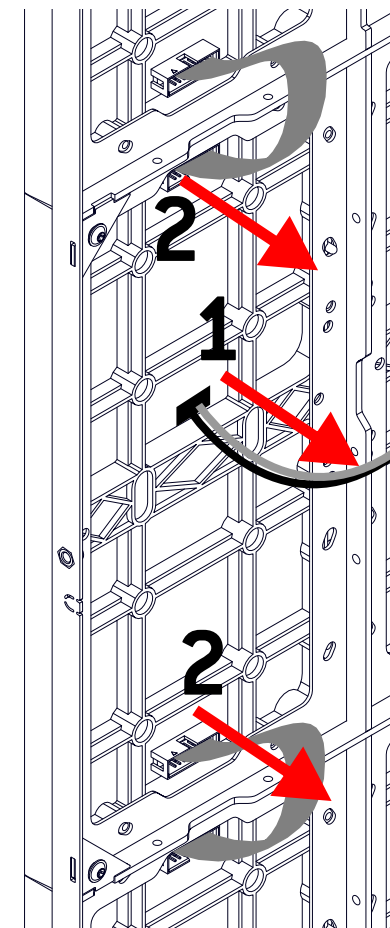
1 Switch off and unplug the LED Poster.



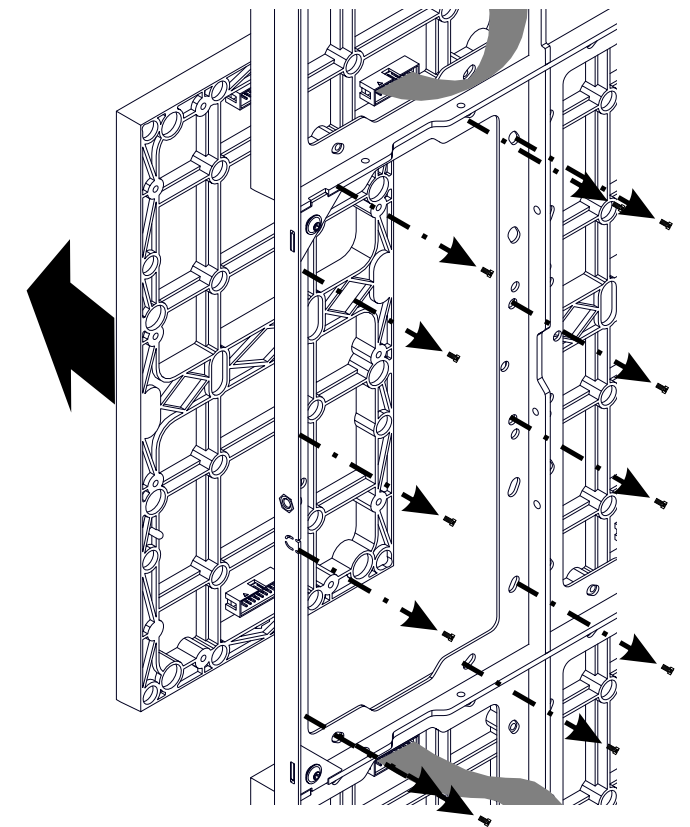
2 Unscrew and remove the back panel



3 Unplug the 5V wire in the middle of the module [1] then the flat cables on each border [2]



4 Unscrew the module and remove it from the structure

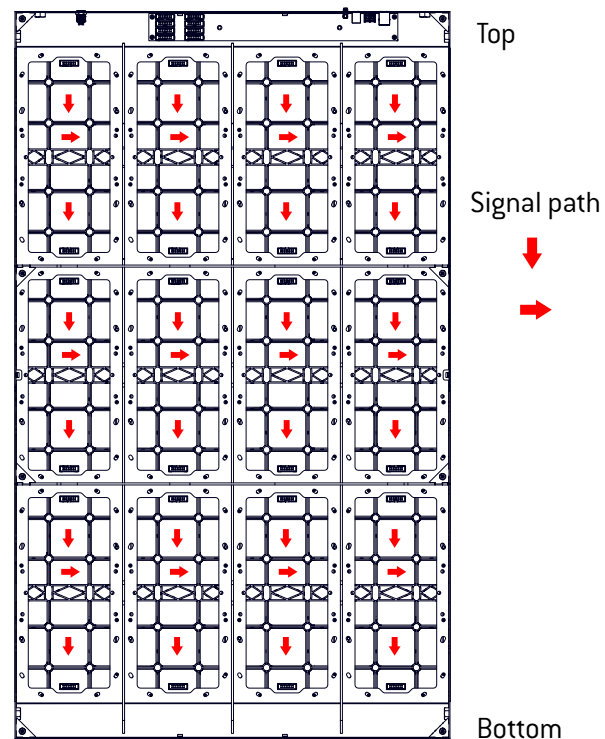
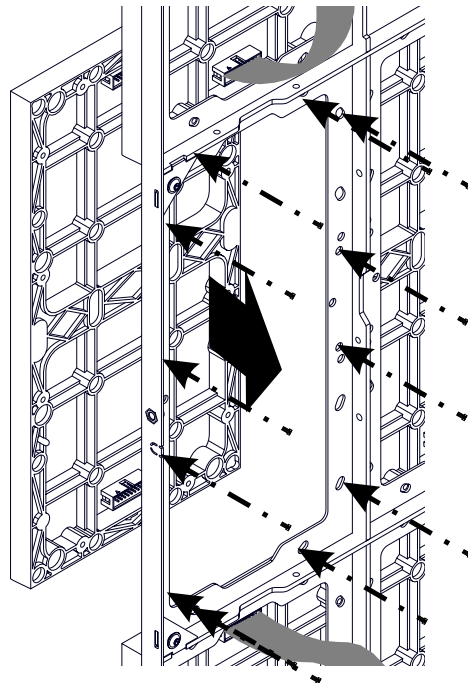


LED Poster maintenance: Module replacement

5

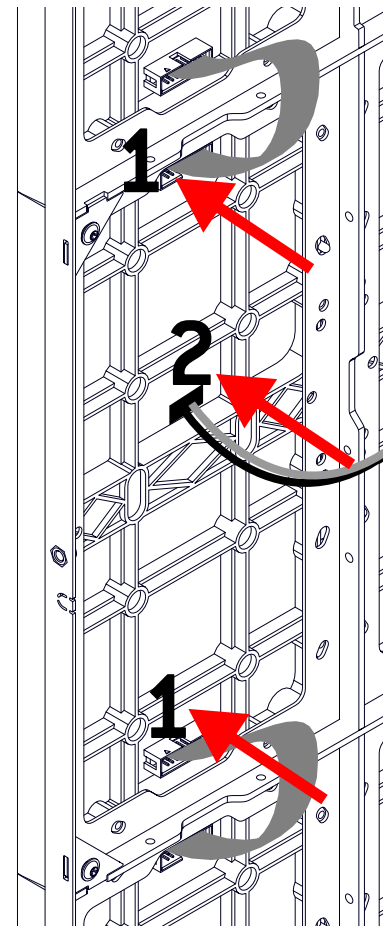
Place back the new module and screw it on the structure

Make sure the back arrows are in the same orientation as all modules (signal path)



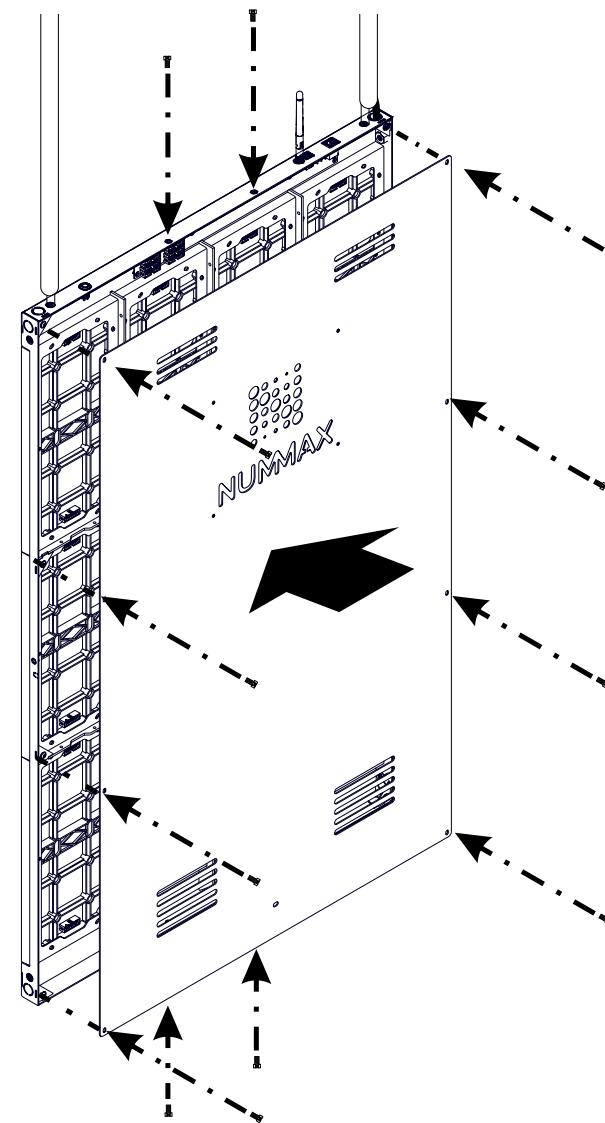
6

Wire the flat cables (1) and the 5V (2)



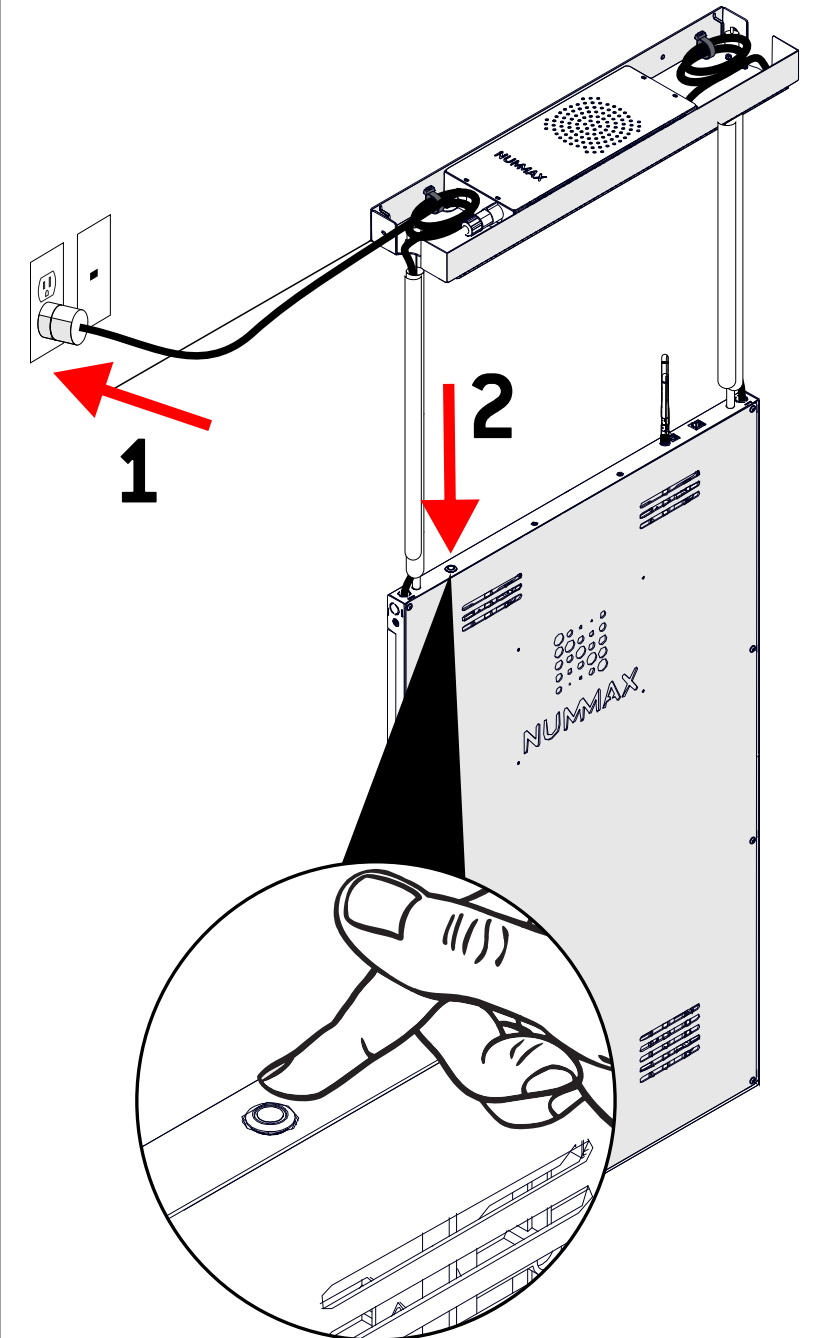
7

Screw the back panel



8

Plug back the LED Poster and switch it on





Warnings

- Do not use this apparatus near water.
- Clean only with a dry cloth.
- Do not block any ventilation openings.
- Install in accordance with the manufacturer's instructions.
- Do not install near any heat sources such as radiators, heat registers, stoves, or other apparatus (including amplifiers) that produce heat.
- Do not defeat the safety purpose of the polarized or grounding-type plug. A grounding type plug has two blades and a third grounding prong. The wide blade or the third prong are provided for your safety. If the provided plug does not fit into your outlet, consult an electrician for replacement of the obsolete outlet (Can differ by country).
- Protect the power cord from being walked on or pinched particularly at plugs, convenience receptacles, and the point where they exit from the apparatus.
- Refer all servicing to qualified service personnel. Servicing is required when the apparatus has been damaged in any way, such as power-supply cord or plug is damaged, liquid has been spilled or objects have fallen into the apparatus, the apparatus has been exposed to rain or moisture, does not operate normally, or has been dropped.
- Do not stick metal objects or any other conductive material into the power cord. Do not touch the end of the power cord while it is plugged in.
- To reduce the risk of fire or electrical shock, do not expose this product to rain, moisture or other liquids. Do not touch the display with wet hands. Do not install this product near flammable objects such as gasoline or candles, or expose the display to direct air conditioning.
- Do not expose to dripping or splashing and do not place objects filled with liquids, such as vases, cups, etc. on or over the apparatus (e.g. on shelves above the unit).

Nummax cannot be held responsible for:

- Wall support systems, material, fixture and screws in the event of a panel fall
- Misuse, disassembly into parts or vandalism
- Any electric shock
- Any other case of force majeure

ALWAYS UNPLUG THE PANEL BEFORE WORKING IN IT

TO REDUCE THE RISK OF ELECTRIC SHOCK DO NOT REMOVE COVER (OR BACK). NO USER SERVICEABLE PARTS INSIDE. REFER TO QUALIFIED SERVICE PERSONNEL.